



SPECIALTY TOP CO.

INSTALLATION INSTRUCTIONS CJ-5 M38A1 1955-1975 PART #109-011 With Doors

Thank you for purchasing Specialty's Convertible Top for your Jeep® vehicle. It has been designed for great fit and long wear. Please read and follow, precisely, all installation instructions provided when installing top. Failure to do so may result in a poor fitting top and could place occupants in a potentially hazardous situation.

TOOLS REQUIRED:

- 3/8" WRENCH
- 7/16" WRENCH
- 5/32" ALLEN WRENCH
- #2 PHILLIPS SCREWDRIVER
- 8' TAPE MEASURE
- DRILL BITS (1/8" 5/32", 11/32"
- ELECTRIC DRILL
- 3/8" & 1/2")
- RUBBING ALCOHOL

Windshield Adjustment. If your windshield frame is improperly adjusted, the top will not fit or function properly. Hook tape measure on flange at the top of windshield frame, 20" on either side of center line and measure to edge of body as shown. If windshield is out of adjustment you will have to loosen the bolts at the bottom of the windshield frame and move windshield frame forward or to the rear as necessary until the proper measurement is reached. Retighten bolts. See figure 1.

INSTALLATION TIPS

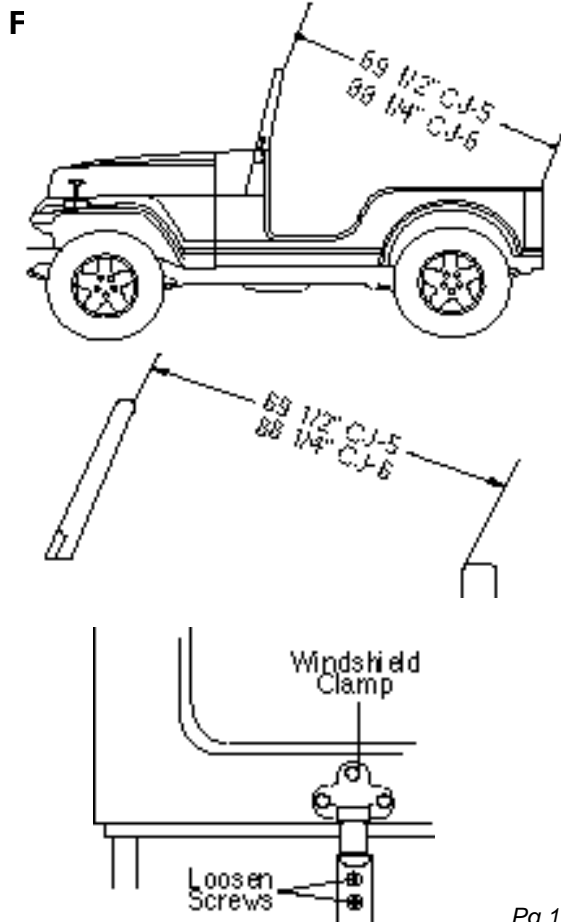
Before you begin installing this top, here are a few tips to make installation easier.

This top should be installed where the temperature is above 72 degrees Fahrenheit. Below this temperature, the top may contract making it difficult to install.

It is normal for a top to contract and wrinkle when stored in the shipping carton. The top will relax and wrinkles will disappear within a few days of installation as fabric adjusts to shape of mounting hardware.

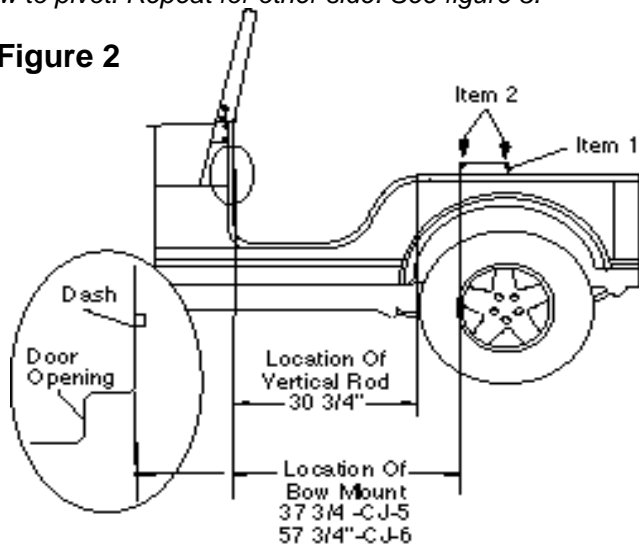
INSTALLATION PROCEDURES:

On page 4 of this instruction manual there is an assembly drawing. Please refer to it for identification of parts and assembly assistance. Also refer to page 6 to assure that all parts are included in your kit.



Step 1. Install Bows. Measure 37 3/4" from dash to the top of body and mark a line. This is for the positioning of the bow mount bracket (Item 1). Place front of bow mount bracket on this line. Using the bow mount as a template, mark and drill 5/32" holes in top center of body flange. Secure to body with #14 x 1/2" sheet metal screws (Item 2), making sure that one set of holes in bow mount hang over the inside edge of body. See figure 2. Repeat for the other side. Place rear bow lock (Item 3) into rear of bow mount with three sets of holes to the front of vehicle. Place 1/4-20 x 1 1/2" hex bolts (Item 4) through bow mount and bow lock, and secure with 1/4-20 lock nut (Item 5). These items must pivot, so do not over tighten. Repeat for other side. Place rear bow covers (Item 6) over rear bow halves (Item 7). Slide bow halves together. Place rear bow into center set of holes in rear bow lock. Fasten with 1/4-20 x 1 1/2" hex bolts (Item 4) and 1/4-20 lock nuts (Item 5). Again these items must pivot, so do not over tighten. Repeat for other side. Place center strap (Item 8) over front bow half (Item 9). Slip front bow covers (Item 10) over front bow halves. Place front bow into front of bow mount. Place 1/4-20 x 1 1/2" hex bolt through bow mount and front bow. Secure with 1/4-20 lock nut tightening only enough to allow bow to pivot. Repeat for other side. See figure 3.

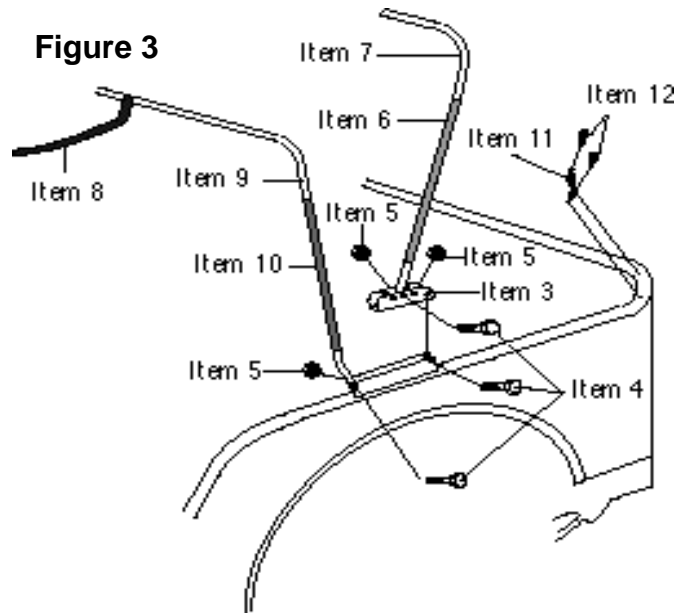
Figure 2



Step 2. Footman Loops. Place footman loop (Item 11) at rear corner of vehicle. Using footman loop as a template, mark and drill 1/8" holes. Secure to body with #8 x 1/2" sheet metal screws (Item 12). See figure 3. Repeat for other side. Place footman loop at inside top center of windshield frame. Using footman loop as a template, mark and drill 1/8" holes and secure to frame with #8 x 1/2" sheet metal screws. If there is a footman loop already in place, disregard this step.

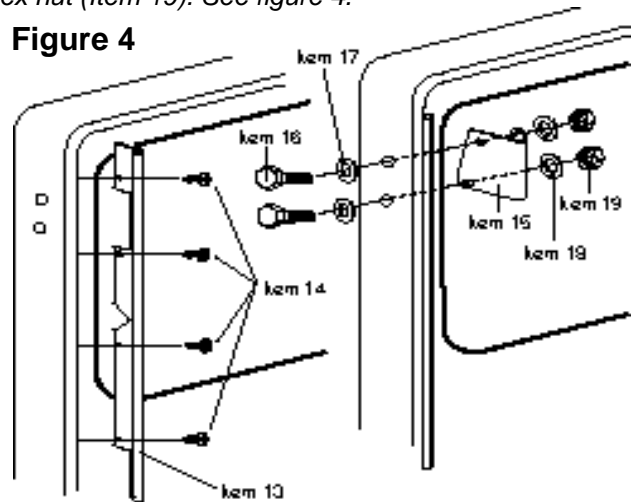
Step 3. Door Channel And Hinges. Place door channel (Item 13) on inside edge of windshield frame. There is one left and one right channel. The formed channel portion should be to the outside of the vehicle. Secure to inside windshield frame with existing holes with #10 x 1/2" sheet metal screws (item 14). Place door hinge (Item 15) in the upper notch of door channel. There is one left and one right hinge. The formed edge should be to the inside of

Figure 3



vehicle. Place 1/4-28 x 1 1/4" hex bolts (Item 16) through 1/4" flat washer (Item 17), outside of windshield frame, door hinge and 1/4" lock washer (Item 18). Secure with 1/4-28 hex nut (Item 19). See figure 4.

Figure 4



Step 4. Windshield Retainer. Place windshield retainer on top of windshield frame centered from side to side and with the rear channel flush with rear of windshield frame. Secure to windshield frame with #10 x 1/2" sheet metal screws. Place self adhesive weather strip next to windshield channel at corners of windshield frame. See figure 5.

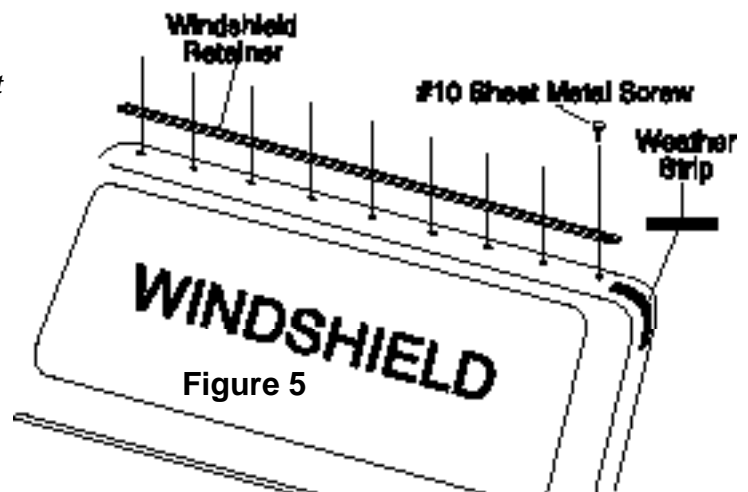
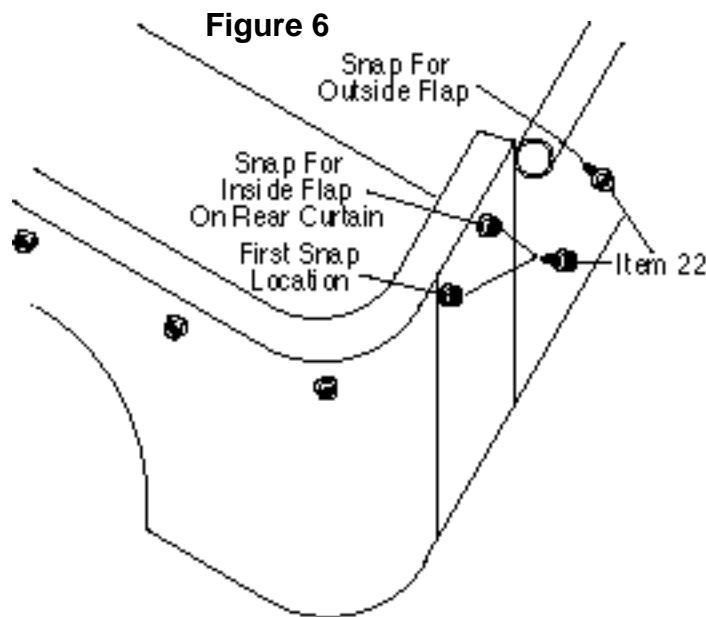


Figure 5

Step 5. Horizontal And Vertical Rods. Measure 30 3/4" from dash and mark a line on top of body flange. Drill a 1/2" hole centered from side to side. If original rod cups are present, disregard this step and remove one plastic "top hat" from vertical rod. This end will go into original rod cup. Measure 38 7/8" from bottom of door opening to a position at the rear of windshield frame and center on windshield frame. Drill 3/8" hole. See figure 7. Place front of horizontal rod (Item 20) into 3/8" hole drilled in windshield frame and the rear into upper hole in front bow. There are left and right horizontal rods. The right is identified by having a white mark at one end. The washer on the rod will be closest to the front bow when installed. The washer should also be at the bottom of the rod and to the inside of the vehicle. Put one end of vertical rod (Item 21) into 1/2" hole drilled in body and the other end into washer welded on horizontal rod. See figure 7. Repeat for other side. Thread center strap, on front bow through footman loop mounted on windshield frame, buckle and tighten.



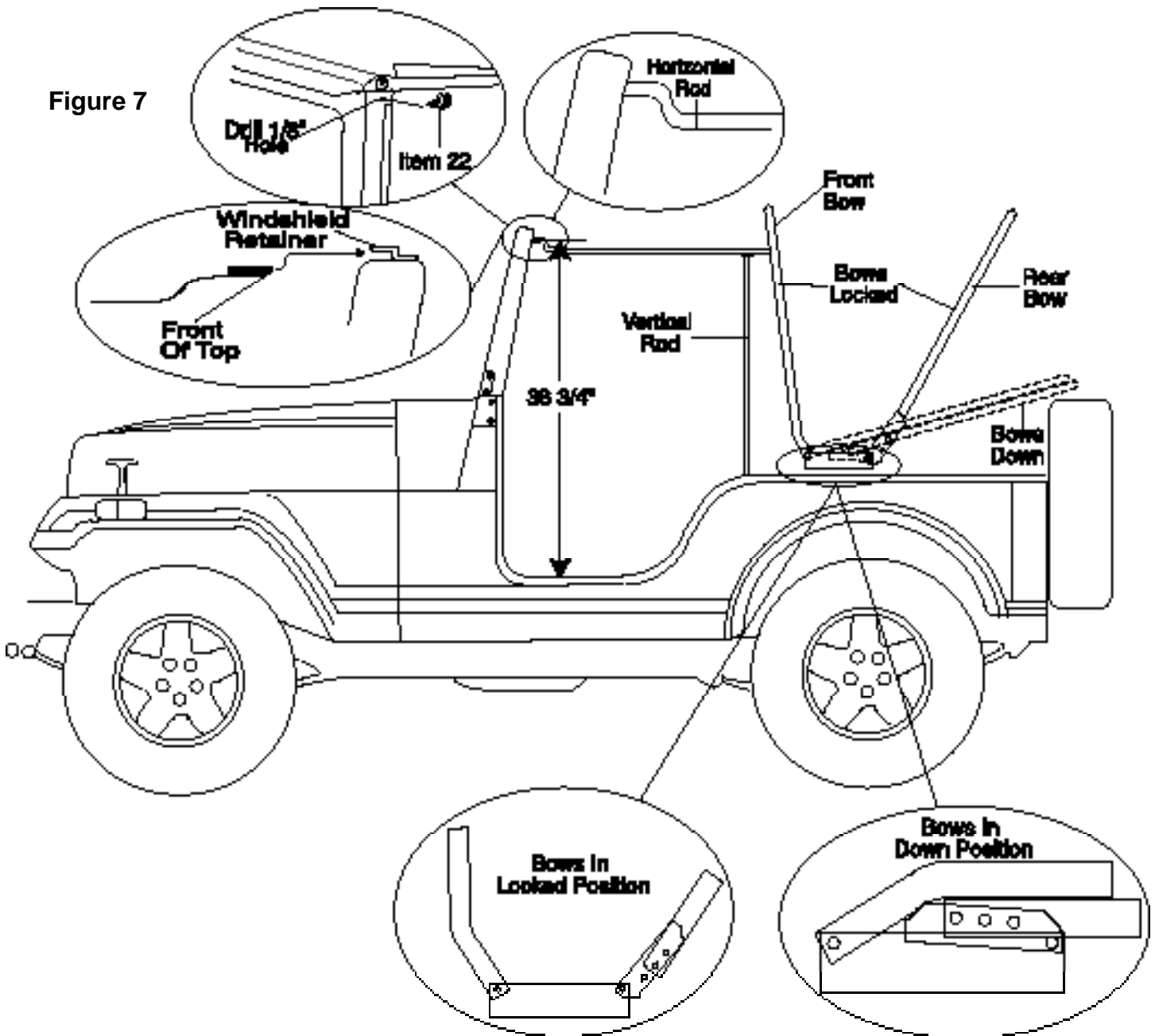
Step 6. Top Installation. Place convertible top vinyl side down on hood of vehicle. Place sewn in plastic, at front of top, into channel at front of windshield. Flip top over windshield frame and support bows. Snap rear bow flap to studs on rear bow. Pull side panels and rear curtain down to meet top of body. Fasten hook and loop around horizontal and vertical rods. Pull rear bow into locked position. See figure 6.

Measure 1/8" over, toward center of vehicle, from the rear vertical body seam and 3/4" down from top of body edge for location of first snap stud (Item 17). Mark and drill 1/8" hole. Repeat for other side. Snap the last snap on the side curtain to these studs. Continue installing studs, alternating left to right. Pull forward and down on the side curtain to find the locations for the snap studs. Mark and drill 1/8" holes for studs and snap top to body after each stud installation. See Figure 6.

There are two sets of flaps on the rear curtain. You will first use the outside flap to mark and drill holes for studs to attach to the tailgate. Measure to find center of tailgate. Pull on center snap, on outside flap, and align with center line on tailgate. Mark and drill 1/8" hole. Snap top to stud. Continue installing studs using same procedure as above. See figure 5. Snap buckle strap to outside snap on each side of rear bow. Thread buckle straps through footman loops and tighten loosely. These straps hold top in place when side and rear curtains are rolled up.

There will be a snap on the flap that wraps around the horizontal rod. Mark and drill 1/8" hole on inside of windshield frame using flap as a guide. Install 3/8" stud. Snap flap to stud. Pull forward and down at front corner of top at windshield corners. Mark and drill 1/8" hole using snap as a guide. Install 3/8" stud. Snap top to stud. See figure 7.

Figure 7



WARRANTY INFORMATION:

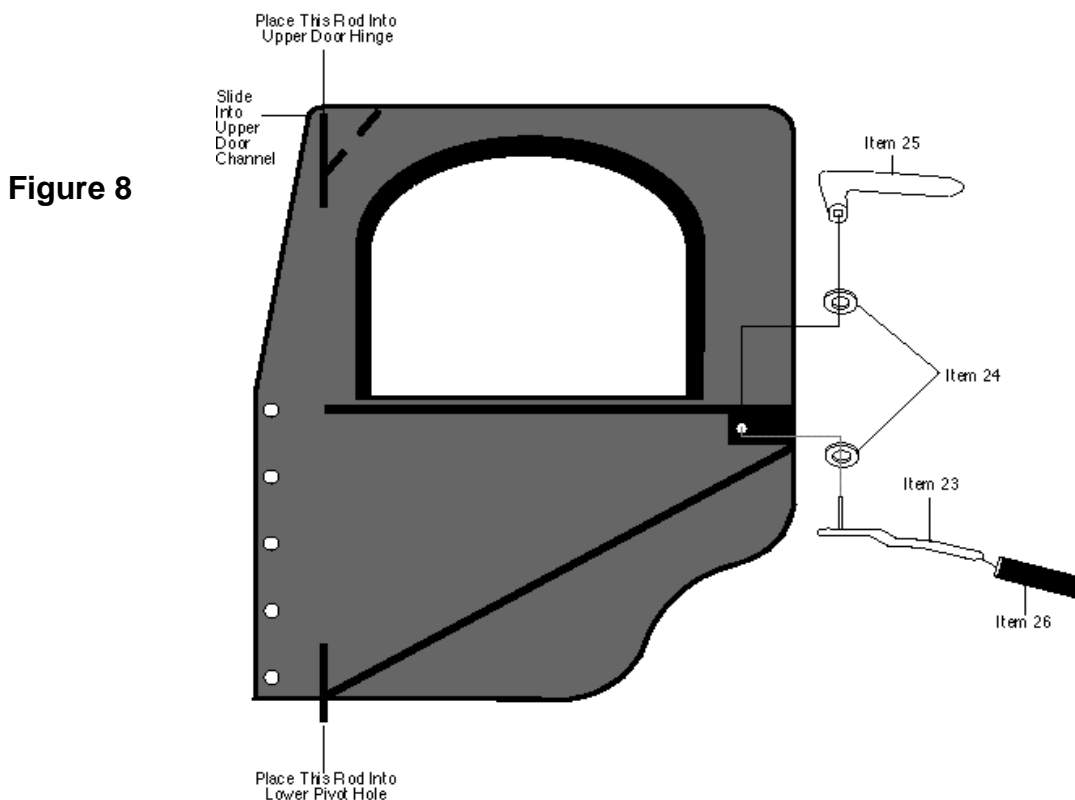
Specialty Top Co. warrants to the original purchaser of any product it manufactures, that the product will be free of defects in material or workmanship for a period of 90 days from date of purchase. Such obligations under this warranty shall be limited to the **repair or replacement**, at Specialty's discretion, of any assembly or parts which upon examination by Specialty Top Co. proves to be defective. All defective items must be returned with proof of purchase to Specialty Top Co., 200 East 64th Avenue, Denver, Colorado 80221, freight prepaid. This warranty does not cover damage resulting from abuse, misuse, alteration, accident or damage in transit. Specialty's obligations under this warranty are limited to the aforementioned repair or replacement of warranty defects for which the return authorization has been received during the warranty period, and **SPECIALTY TOP CO. SHALL NOT BE LIABLE FOR ANY INCIDENTAL OR CONSEQUENTIAL DAMAGES ARISING FROM BREACH OF THIS OR ANY IMPLIED WARRANTY.**

Some states do not allow the exclusion or limitation of incidental or consequential damages, so the above limitation or exclusion may not apply to you. This warranty gives you specific legal rights, and you may also have other rights which may vary from state to state.

If you need assistance or further information, you may contact Specialty Top Co. at 1-866-487-9944 between the hours of 8:00 AM and 5:00 PM, Monday through Friday, Mountain Standard Time.

Step 6. Install Doors. Place square peg on inside door handle (Item 23) through 3/8" washer (Item 24) and through inside hole in door. Place another 3/8" washer over peg, on outside of door, and slide on outside door handle (Item 25) over peg and tighten set screw in handle. Both inside and outside handles should point to rear of vehicle. See figure 8. Slide sewn in rope on front of door, into channel on windshield frame. Place end of rod at top of door into upper door hinge. Place rod at bottom of door into original door pivot hole in top of body flange and pull down until door rests on top of door opening. If your vehicle does not have this hole you will need to drill a 3/8" hole using the door, in the vertical position, as a guide to find the proper hole location. Close door. Due to inconsistencies in vehicle manufacturing slight bending modifications may be needed for proper fit in door opening. Bend frame a little at a time until door fits properly in door opening.

Mark positions for 3/8" snap stud (Item 22) at door opening by pulling forward and down to smooth fabric. Using snaps on door as a guide, mark and drill 1/8" holes for each stud installation. Install one snap at a time smoothing fabric as you go.

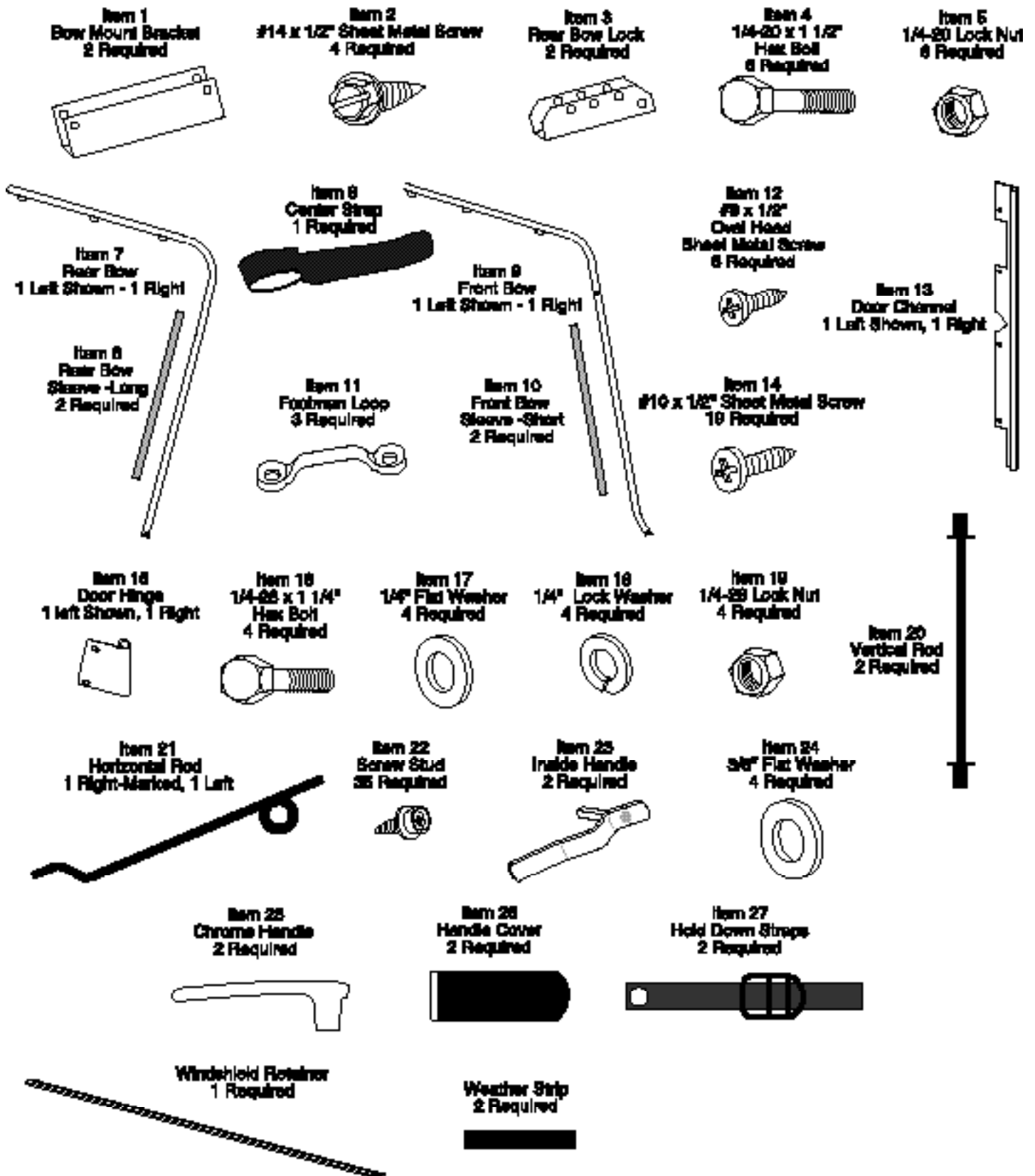


CARE INSTRUCTIONS

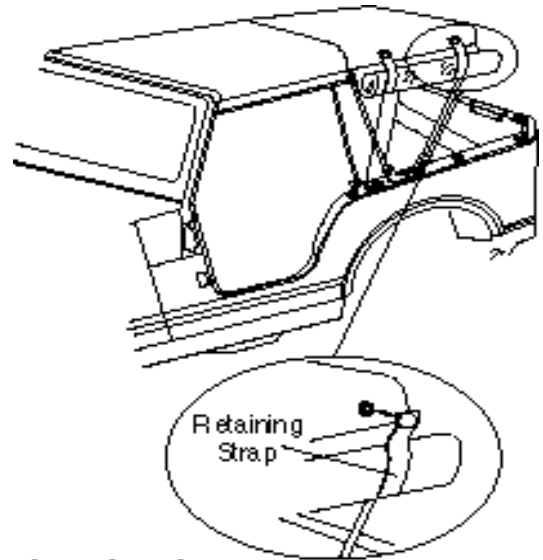
Convertible tops and accessories require special care if you want to get the maximum usage and enjoyment from them. The following recommendations, if followed carefully, can extend the life of your top or accessory.

1. Hand wash using a mild non-detergent soap such as Ivory. Use a nonabrasive cloth or sponge. Rinse thoroughly.
2. **DO NOT** wash in direct sunlight and avoid automatic car washes.
3. When your top is clean, we recommend using "303 Protectant" on both the vinyl top and windows. This product contains a sunscreen that helps protect from the sun's damaging rays. Stay away from products containing alcohol as it will cause the fabric and windows to lose their elasticity, thus reducing the life of your top or accessory. If you are unable to locate "303 Protectant", please call 1-800-223-4303 for a distributor near you.
4. Direct sunlight and heat are the biggest enemies of the windows. Park in the shade whenever possible. If you must park in the sunlight, rotate the direction that you park every few days so all windows get even exposure.
5. Our tops are designed so that you may roll up the rear curtain and side curtains. To prevent scratching of the windows, be sure that windows are completely clean and free of dust particles. Even a little dirt will badly scratch the windows. You may want to use a soft cloth when rolling up or storing your windows. Heat may build up on rolled up windows, so be sure to unroll them frequently. If you roll up the windows at the beginning of summer and leave them, they may be ruined by fall.
6. **DO NOT** open or roll up windows at temperatures below 45 degrees F. This could cause them to crack or break.
7. **NEVER** use ice scrapers or snow brushes on vinyl windows.

Parts Identification And Requirements

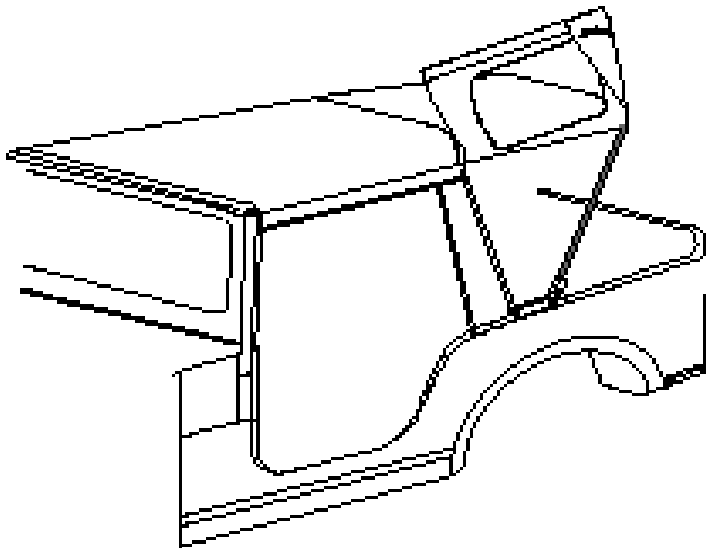


Rolling up side curtains. Before rolling up panels, clean windows with a mild non-detergent soap and water. If windows are not clean, dirt will scratch them reducing top life. To roll up the side curtains you must unlock the rear bow. Unfasten snaps, back to front, unzip rear curtain and roll up the side curtain as shown. Lock rear bow. Secure with retaining straps. It is recommended that you use a soft cloth between windows and retaining straps to prevent marring. You can also roll up the rear curtain following the same procedure. If you do not want to roll up the rear curtain you can pull it forward and snap the inside flap to the front bow.

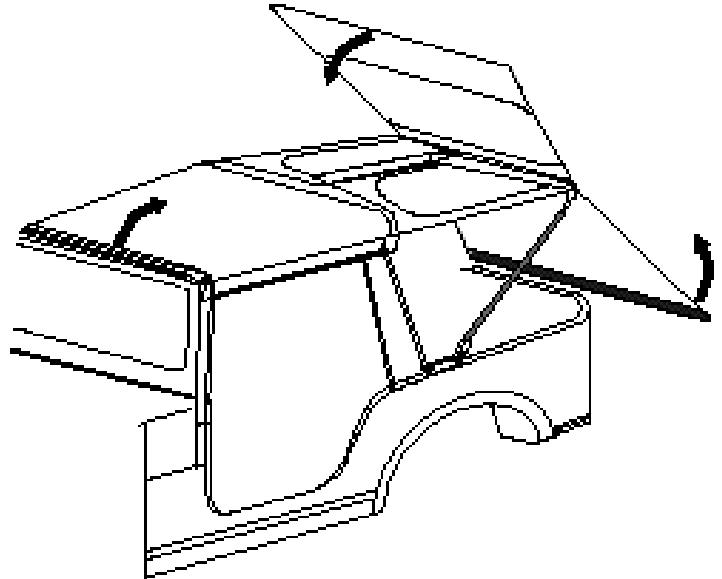


FOLDING INSTRUCTIONS

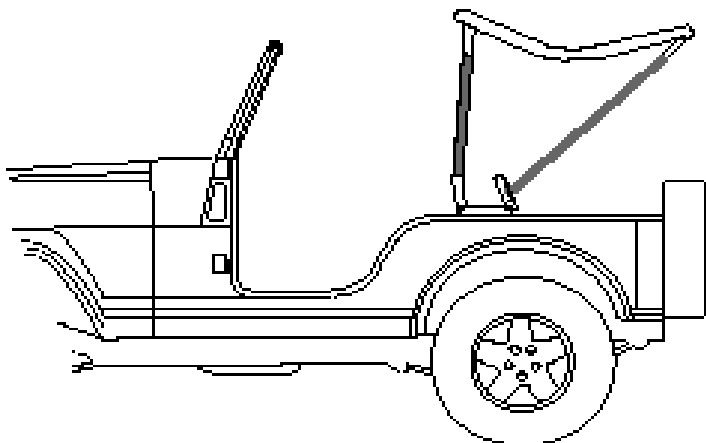
Step 1. Unlock rear bow and unfasten snaps. Lift side curtains and lay flat on top.



Step 2. Lift rear curtain up and place it on top of side curtains. Remove front of top from windshield retainer and fold back on top of rear curtain.



Step 3. Remove horizontal and vertical rods. As you pull the top back, let the top sag between the front and rear bows.



Step 4. Let the top come to rest at rear of vehicle. A convertible boot is available to protect your top while in the down position.

