



SPECIALTY TOP CO.

INSTALLATION INSTRUCTIONS 1973-1975 BLAZER/JIMMY PART #552-010

Thank you for purchasing Specialty's Convertible Top for your vehicle. It has been designed for great fit and long wear. Please read and follow, precisely, all installation instructions provided when installing top. Failure to do so may result in a poor fitting top and could place occupants in a potentially hazardous situation.

TOOLS REQUIRED:

3/8" WRENCH	7/16" WRENCH
1/2" WRENCH	#2 PHILLIPS SCREWDRIVER
1/8" DRILL BIT	5/32" DRILL BIT
3/8" DRILL BIT	ELECTRIC DRILL
8' TAPE MEASURE	RUBBING ALCOHOL

Step 1. Body Aluminum. Place end of rear body aluminum (Item 1) even with rear of notch at tailgate opening. It should also measure 1 3/4" from inside edge of body to the inside edge of body aluminum. Mark and drill 1/8" holes using body aluminum as a template. Secure to body with #10 x 1/2" sheet metal screws (Item 2). Butt front body aluminum (Item 3) next to rear body aluminum. Secure to body using same method as above. See figure 1.

INSTALLATION TIPS

Before you begin installing this top, here are a few tips to make installation easier.

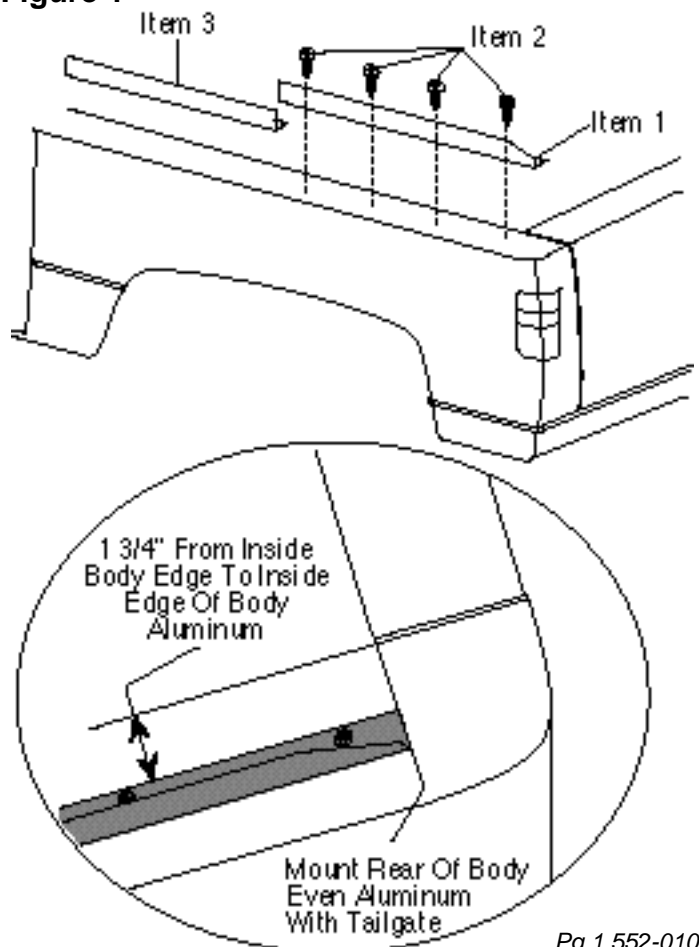
This top should be installed where the temperature is above 72 degrees Fahrenheit. Below this temperature, the top may contract making it difficult to install.

It is normal for a top to contract and wrinkle when stored in the shipping carton. The top will relax and wrinkles will disappear within a few days of installation as fabric adjusts to shape of mounting hardware.

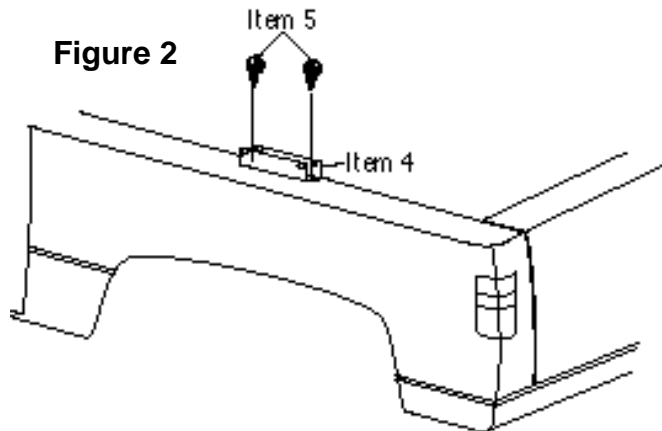
INSTALLATION PROCEDURES:

On page 3 of this instruction manual there is an assembly drawing. Please refer to it for identification of parts and assembly assistance. Also refer to page 5 to assure that all parts are included in your kit.

Figure 1

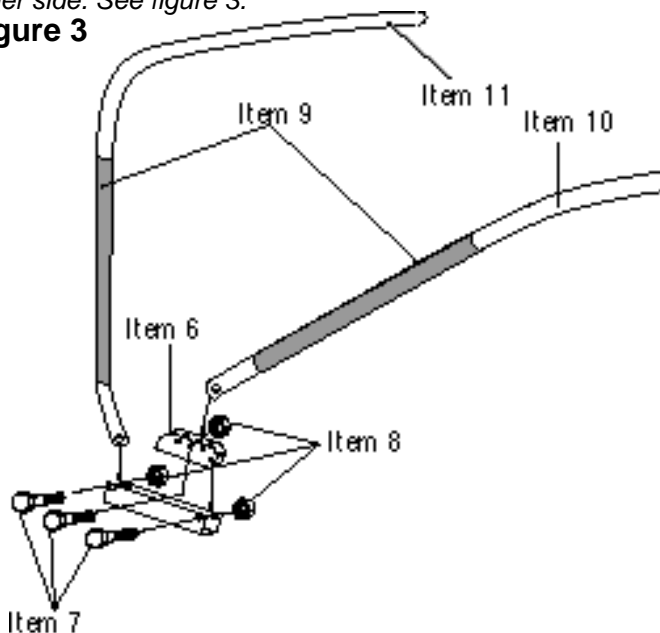


Step 2. Bow Mount. Place bow mount (Item 4) into notch in body aluminum. Mark and drill two 5/32" holes in body using bow mount as a template. Drill only one hole at the front and one at the rear. Secure to body with #14 x 1/2" sheet metal screws (Item 5). See figure 2.



Step 3. Bows. Secure bow release bracket (Item 6) to bow mount by placing 1/4-20 x 1 1/2" hex head bolt (Item 7) through one side of bow mount, the bow release bracket and the other side of bow mount. Secure with 1/4-20 lock nut (Item 8). These items must pivot so do not over tighten. Repeat for other side. Place bow sleeves (Item 9) over rear bow halves (Item 10). Slide rear bow halves together. Mount rear bow into center set of holes in bow release bracket by placing 1/4-20 x 1 1/2" hex head bolt (Item 7) through one side of release bracket, rear bow and then through the other side of release bracket. Secure with 1/4-20 lock nut (Item 8). Again these items must pivot so do not over tighten. Repeat for the other side. Slide bow sleeves (Item 9) over front bow halves (Item 11). Slide front bows halves together. Place front bow into front of bow mount so that the large holes in bow are facing towards the front of vehicle. Place 1/4-20 x 1 1/2" hex head bolt through one side of bow mount, front bow and through other side of bow mount. Secure with 1/4-20 lock nut. Once again these items must pivot so do not over tighten. Repeat for the other side. See figure 3.

Figure 3



Step 4. Footman Loops. Place footman loop (Item 12) on top of body at rear corner of vehicle. Mark and drill 1/8" holes using footman loop as a template. Footman loop should be approximately at a 45 degree angle to the inside edge of body. Secure to body with #8 x 1/2" oval head sheet metal screws (Item 13). See figure 4-F.

Step 5. Horizontal Rods. Pull the front bow forward and place rear of the horizontal rod (Item 14) into large hole in the front bow. The right horizontal rod is marked with a white dot at the front of the rod. With the door closed and the window rolled up, find the position of horizontal rod hole at windshield frame. With the horizontal rod parallel with the top of the door glass mark hole location at windshield frame. Drill 3/8" hole. The horizontal rod should be approximately 1/4" above the top of the door glass. The rubber seal at corners of windshield frame may require trimming to drill holes for horizontal rods. See figure 4.

Step 6. Vertical Rods. Place vertical rods (Item 15) at rear of door opening next to window glass with the door closed. The right vertical rod is marked with a white dot at the bottom of the rod. Mark and drill a 3/8" hole in the top of the body at the point where the rod meets the top of body. This position should be slightly forward of body aluminum and 1/4" from inside of window glass. The window glass should not come into contact with the vertical rod. Remove wing nut and washer from horizontal rod. Place vertical rod over stud on horizontal rod and secure with washer and wing nut. Repeat for the other side.

Step 7. Windshield Slot. Place windshield slot (Item 16) on top of windshield frame centered from side to side and just forward of rubber seal. The weather stripping on windshield slot should be to the rear of vehicle and facing down towards the windshield frame. Using windshield slot as a template mark and drill 1/8" holes windshield frame. Secure to windshield frame with #10 x 1/2" sheet metal screws (Item 2). See figure 4-A & B.

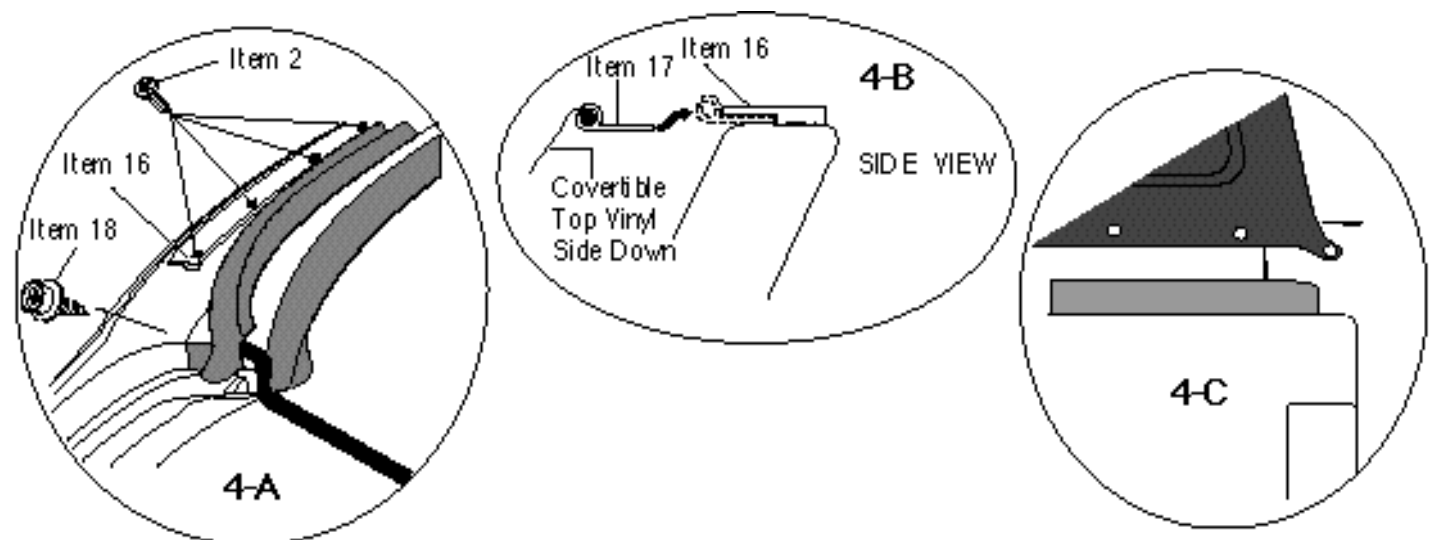
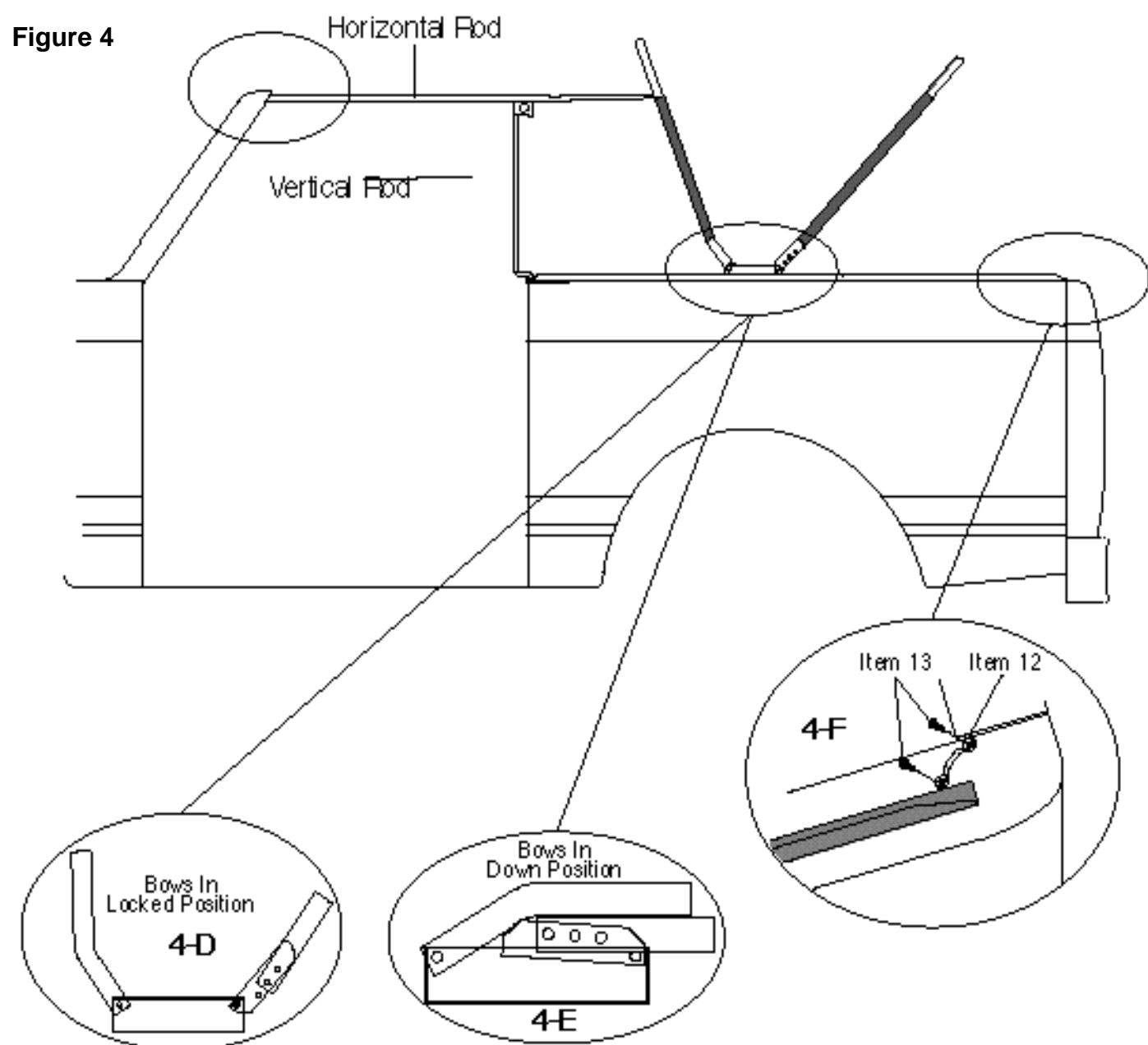


Figure 4



Installing Vinyl Top. Place windshield channel (Item 17) over sewn in rope at front of convertible top. See figure 4-B. Slip flat portion into gap between windshield frame and windshield slot. Flip top up and over front and rear bows.

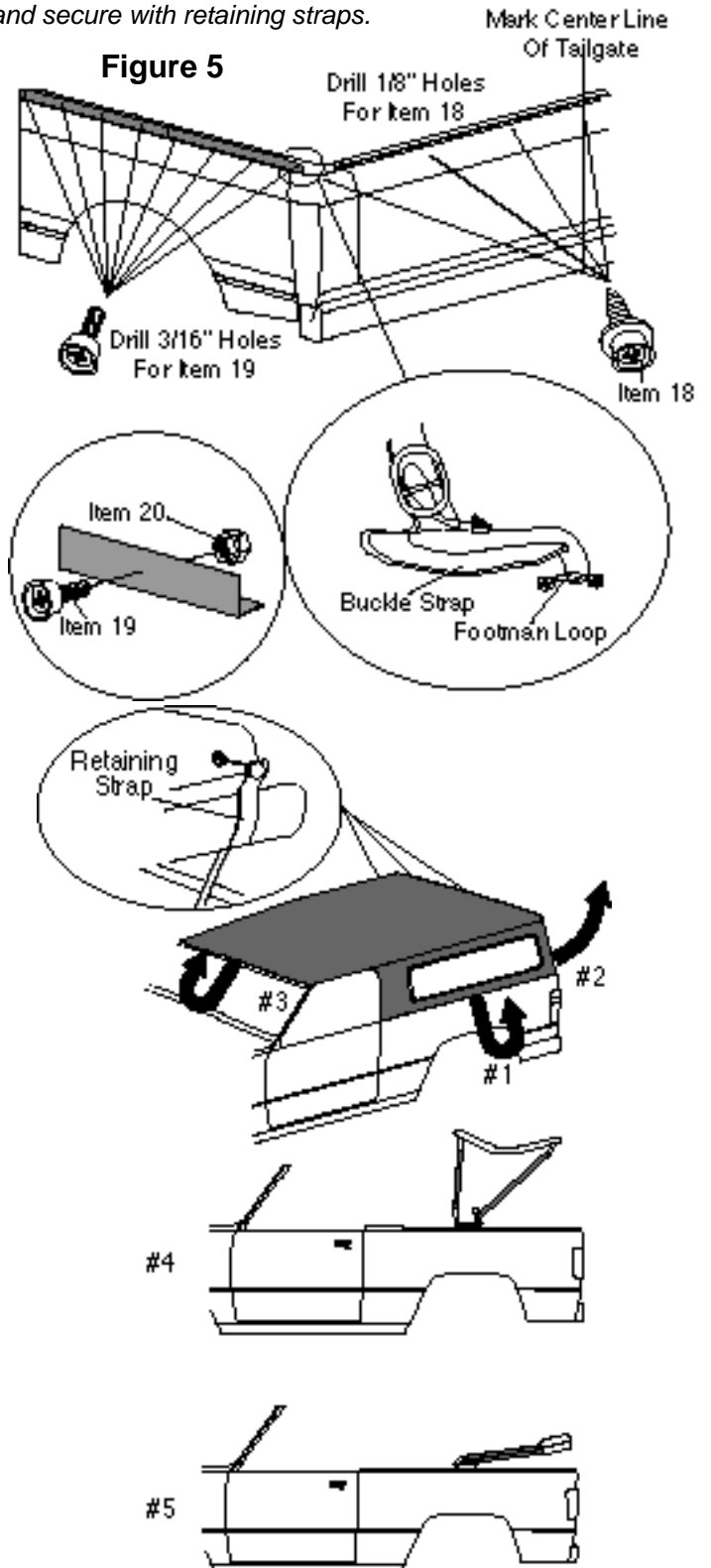
Snap rear bow flap on vinyl top to rear bow. Start with the outside snaps on the bow flap first and work your way to the center. The outer most snaps on the bow will not be used on this application. Measure and mark a center line on tailgate. With rear bow in the locked position (see figure 4-D & 4-E) and zippers closed at the side panels, pull center snap on rear curtain down to center line and mark for snap stud. Drill a 1/8" hole at this point centered from side to side on tailgate. Place sheet metal screw stud (Item 18) at this point. Snap rear curtain to stud just installed. Continue installing sheet metal screw studs, alternating from left to right of center using snaps on rear curtain as a guide. Pull down and to the side on rear curtain when locating studs. Snap top to each stud before installing next stud.

Install machine screw studs (Item 19) in body aluminum starting at the rear. Pull side panel to the rear and down to find location of stud. See figure 4-C. Mark and drill 3/16" hole, install machine screw stud (Item 19) and secure with #10-32 hex nut (Item 20). See figure 5. Repeat for the other side. Install remaining studs on body aluminum using snaps on side panel as a guide. The bottom of the side panel should touch the top edge of vehicle. One sheet metal screw stud will need to be installed at the rear corners of vehicle for the last snap on the side panel. Mark and drill 1/8" hole. Install sheet metal screw stud. Snap top to stud. Thread buckle strap through footman loop and buckle. See figure 5. Tighten only enough to put slight tension on vinyl top. These straps are to keep tension on the top when the side panels and rear curtain are rolled up.

Wrap flaps around horizontal and vertical rods. Press hook and loop together.

Pull forward and down on front of top at windshield frame. Mark and drill 1/8" holes using vinyl top as a guide. Install sheet metal screw stud at this point. Snap top to stud. This holds the rain flap over door opening to shed water away from your door. See figure 4-A. Repeat for the other side.

Rolling up side curtains. Before rolling up panels, clean windows with a mild non-detergent soap and water. **It is also advisable to place a soft cloth on your windows prior to rolling them up to prevent scratching and marring from retaining straps.** To roll up the side panels, you must unzip rear curtain and unlock the rear bow. Unfasten snaps, back to front and roll up side panels. Secure with retaining straps. Lock the rear bow and tighten hold down straps. To roll up the rear curtain unlock rear bow, unfasten snaps and roll up rear curtain. Lock rear bow and secure with retaining straps.



FOLDING INSTRUCTIONS

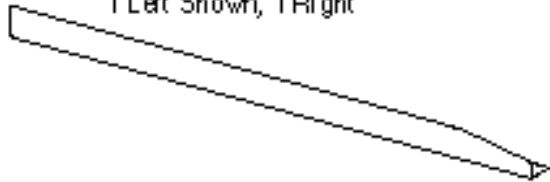
Step 1. Unlock rear bow and unfasten snaps. Lift side panel up and fold them on top of bows.

Step 2. Lift rear curtain up and fold on top of bows. Remove horizontal and vertical rods.

Step 3. Fold front of top to the rear, over bows. Continue to fold top to the rear of vehicle as bows come to rest on tailgate.

PARTS IDENTIFICATION

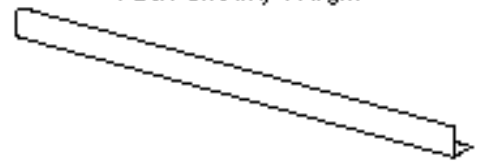
Item 1
Rear Body Aluminum
1 Left Shown, 1 Right



Item 2
#10 x 1/2"
Sheet Metal Screw
31 Required



Item 3
Front Body Aluminum
1 Left Shown, 1 Right



Item 4
Bow Mount Bracket
2 Required



Item 5
#14 x 1/2" Sheet
Metal Screw
4 Required



Item 6
Bow Release Bracket
2 Required



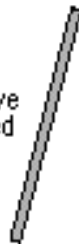
Item 7
1/4-20 x 1 1/2"
Hex Bolt
6 Required



Item 8
1/4-20 Lock Nut
6 Required



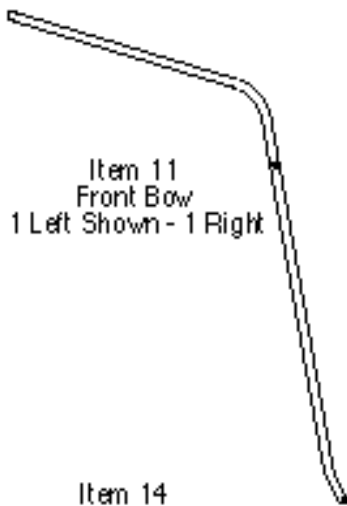
Item 9
Bow Sleeve
4 Required



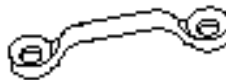
Item 10
Rear Bow
1 Left Shown - 1 Right



Item 11
Front Bow
1 Left Shown - 1 Right



Item 12
Footman Loop
2 Required



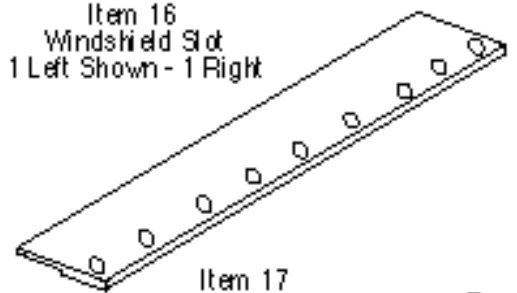
Item 13
#8 x 1/2" Oval Head
Sheet Metal Screw
4 Required



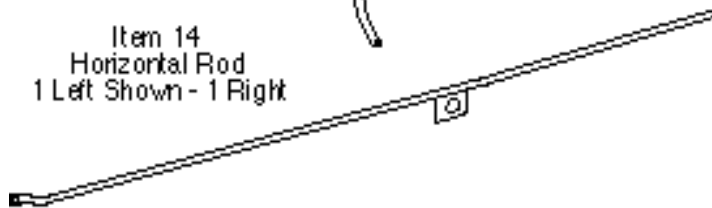
Item 15
Vertical Rod
1 Left Shown - 1 Right



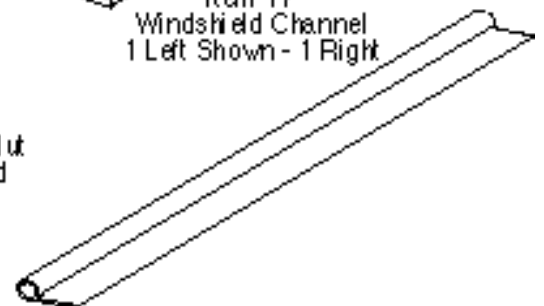
Item 16
Windshield Slot
1 Left Shown - 1 Right



Item 14
Horizontal Rod
1 Left Shown - 1 Right



Item 17
Windshield Channel
1 Left Shown - 1 Right



Item 18
Sheet Metal Screw Stud
18 Required



Item 19
#10-32 Machine Screw Stud
20 Required



Item 20
#10-32 Hex Nut
20 Required



CARE INSTRUCTIONS

Convertible tops and accessories require special care if you want to get the maximum usage and enjoyment from them. The following recommendations, if followed carefully, can extend the life of your top or accessory.

1. Hand wash using a mild non-detergent soap such as Ivory. Use a nonabrasive cloth or sponge. Rinse thoroughly.
2. **DO NOT** wash in direct sunlight and avoid automatic car washes.
3. When your top is clean, we recommend using "303 Protectant" on both the vinyl top and windows. This product contains a sunscreen that helps protect from the sun's damaging rays. Stay away from products containing alcohol as it will cause the fabric and windows to lose their elasticity, thus reducing the life of your top or accessory. If you are unable to locate "303 Protectant", please call 1-800-223-4303 for a distributor near you.
4. Direct sunlight and heat are the biggest enemies of the windows. Park in the shade whenever possible. If you must park in the sunlight, rotate the direction that you park every few days so all windows get even exposure.
5. Our tops are designed so that you may roll up and/or store the rear curtain and side curtains. To prevent scratching of the windows, be sure that windows are completely clean and free of dust particles. Even a little dirt will badly scratch the windows. You may want to use a soft cloth when rolling up or storing your windows. Heat may build up on rolled up windows, so be sure to unroll them frequently. If you roll up the windows at the beginning of summer and leave them, they may be ruined by fall.
6. **DO NOT** open or roll up windows at temperatures below 45 degrees F. This could cause them to crack or break.
7. **NEVER** use ice scrapers or snow brushes on vinyl windows.

WARRANTY INFORMATION:

Specialty Top Co. manufacturing warrants to the original purchaser of any product it manufactures, that the product will be free of defects in material or workmanship for a period of 90 days from date of purchase. Such obligations under this warranty shall be limited to the **repair or replacement**, at Specialty's discretion, of any assembly or parts which upon examination by Specialty Top Co. proves to be defective. All defective items must be returned with proof of purchase to Specialty Top Co. Manufacturing, 200 East 64th Avenue, Denver, Colorado 80221, freight prepaid. This warranty does not cover damage resulting from abuse, misuse, alteration, accident or damage in transit. Specialty's obligations under this warranty are limited to the aforementioned repair or replacement of warranty defects for which the return authorization has been received during the warranty period, and **SPECIALTY TOP CO. SHALL NOT BE LIABLE FOR ANY INCIDENTAL OR CONSEQUENTIAL DAMAGES ARISING FROM BREACH OF THIS OR ANY IMPLIED WARRANTY.**

Some states do not allow the exclusion or limitation of incidental or consequential damages, so the above limitation or exclusion may not apply to you. This warranty gives you specific legal rights, and you may also have other rights which may vary from state to state.

If you need assistance or further information, you may contact Specialty Top Co. at 1-866-487-9944 between the hours of 8:00 AM and 5:00 PM, Monday through Friday, Mountain Standard Time.