



SPECIALTY TOP CO.

INSTALLATION INSTRUCTIONS BRONCO 1980-1991 PART #334-010

Thank you for purchasing Specialty's Convertible Top for your Bronco. It has been designed for great fit and long wear. Please read and follow, precisely, all installation instructions provided when installing top. Failure to do so may result in a poor fitting top and could place occupants in a potentially hazardous situation.

TOOLS REQUIRED:

3/8" WRENCH	7/16" WRENCH
1/8" DRILL BIT	#2 PHILLIPS SCREWDRIVER
5/32" DRILL BIT	3/16" DRILL BIT
1/2" DRILL BIT	ELECTRIC DRILL
8' TAPE MEASURE	RUBBING ALCOHOL

INSTALLATION TIPS

Before you begin installing this top, here are a few tips to make installation easier.

This top should be installed where the temperature is above 72 degrees Fahrenheit. Below this temperature, the top may contract making it difficult to install.

It is normal for a top to contract and wrinkle when stored in the shipping carton. The top will relax and wrinkles will disappear within a few days of installation as fabric adjusts to shape of mounting hardware.

INSTALLATION PROCEDURES:

On page 3 of this instruction manual there is an assembly drawing. Please refer to it for identification of parts and assembly assistance. Also refer to page 4 to assure that all parts are included in your kit.

Step 1. Body Aluminum. Locate rear body aluminum (Item 1) just outside slight drop in body edge and 2" to the rear of notch in body. The body aluminum should be on the same surface level as the tailgate. Using body aluminum as a template, mark and drill 1/8" holes. Secure to body with #10 x 1/2" sheet metal screws (Item 2). Butt front body aluminum (Item 3) up to rear body aluminum. Mark and drill 1/8" holes using front body aluminum as a template. Secure to body with #10 x 1/2" sheet metal screws (Item 2). The last sheet metal screw will be installed on the vertical edge at bottom rear of cab. See figures 1 and 2.

Butt both pieces of tailgate aluminum (Items 4 & 5) together on top edge of tailgate. Center from left to right and 1/2" from the rear of the body aluminum to the rear edge of tailgate aluminum. Making sure that tailgate aluminum is parallel with tailgate, mark and drill 1/8" holes using tailgate aluminum as a template. Secure to tailgate with #10 x 1/2" sheet metal screws (Item 2). See figure 1.

Step 2. Bow Mount. Measure 27" from tailgate inset and place rear of bow mount (Item 6) at this point. With the bow mount flush with inside edge of body, mark and drill two 5/32" holes. Only one front hole and one rear hole need to be drilled. Secure to top of body with #14 x 1/2" sheet metal screws (Item 7). Repeat for the other side. See figure 1.

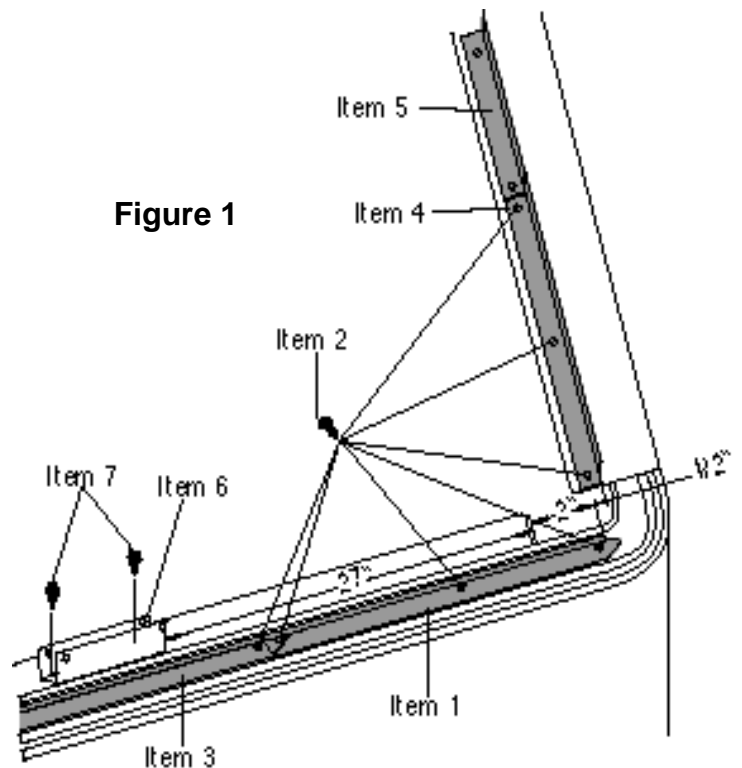
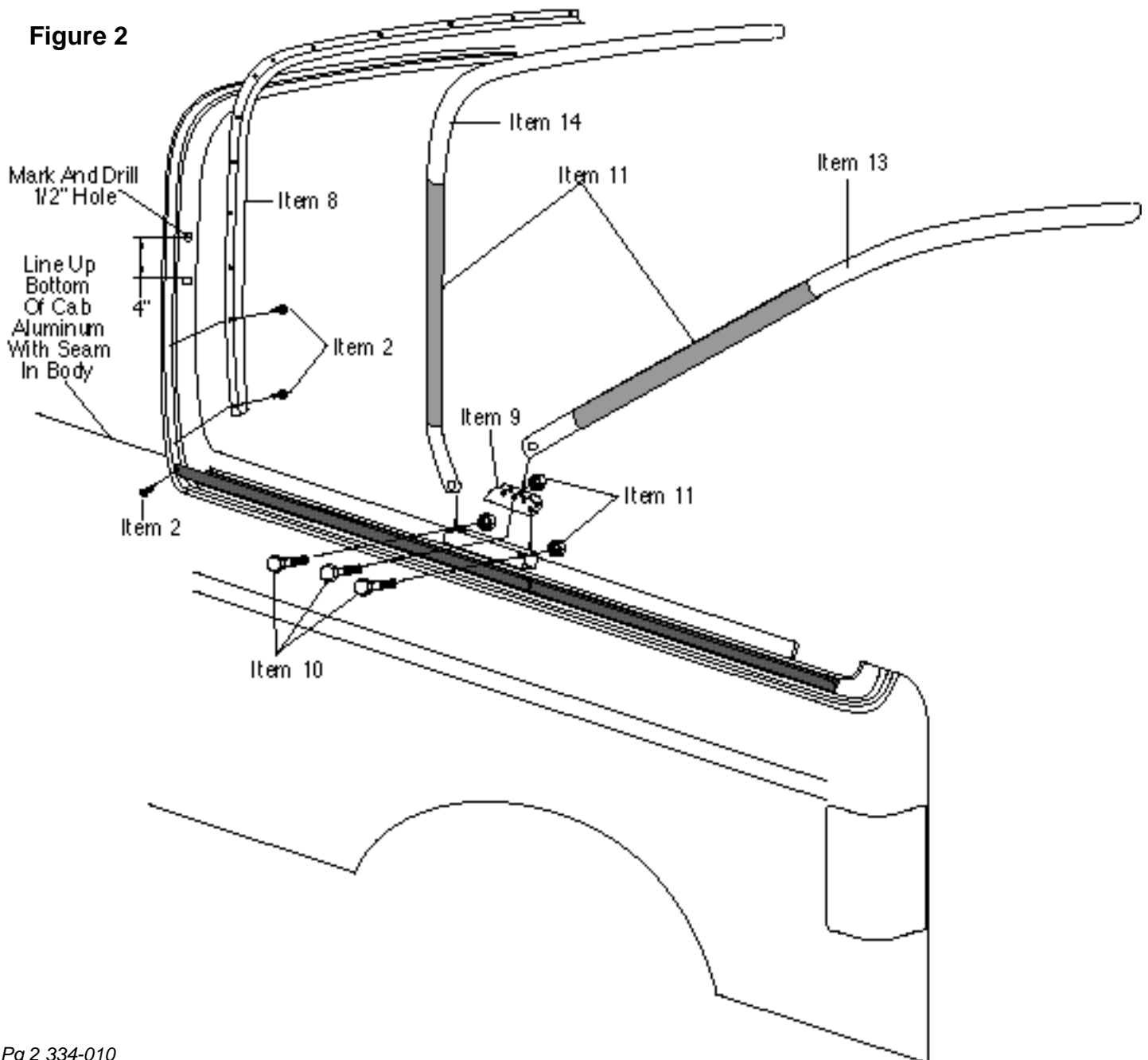


Figure 1

Step 3. Cab Aluminum. Position bottom of cab aluminum (Item 8) even with seam in body at rear of cab. Starting at the bottom mark and drill 1/8" holes using cab aluminum as a template. Secure to cab with #10 x 1/2" sheet metal screw (Item 2). Drill and install one screw at a time making sure that cab aluminum follows the contour of cab. Slight bending of cab aluminum may be necessary. Butt cab aluminum pieces together at center of cab. Mark, drill and install screws using same procedure. Make sure that cab aluminum will follow contour of cab before drilling. One side of cab aluminum may require trimming prior to final installation for a proper fit. See figure 2.

Secure with 1/4-20 lock nut (Item 11). These items must pivot so do not over tighten. Repeat for other side. Place bow sleeves (Item 12) over rear bows (Item 13). Slide rear bow halves together. Mount rear bow into center set of holes in bow release bracket by placing 1/4-20 x 1 1/2" hex head bolt (Item 10) through one side of release bracket, rear bow and then through the other side of release bracket. Secure with 1/4-20 lock nut (Item 11). Again these items must pivot so do not over tighten. Repeat for other side. Slide bow sleeves (Item 11) over front bow halves (Item 14). Slide front bow halves together. Place front bow into front hole in bow mount so that the large holes in bow are facing towards the front of vehicle. Secure front bow to bow mount with 1/4-20 x 1 1/2" hex head bolt through one side of bow mount, front bow and the other side of bow mount. Secure with 1/4-20 lock nut. Once more these items must pivot so do not over tighten. Repeat for other side. See figure 2.

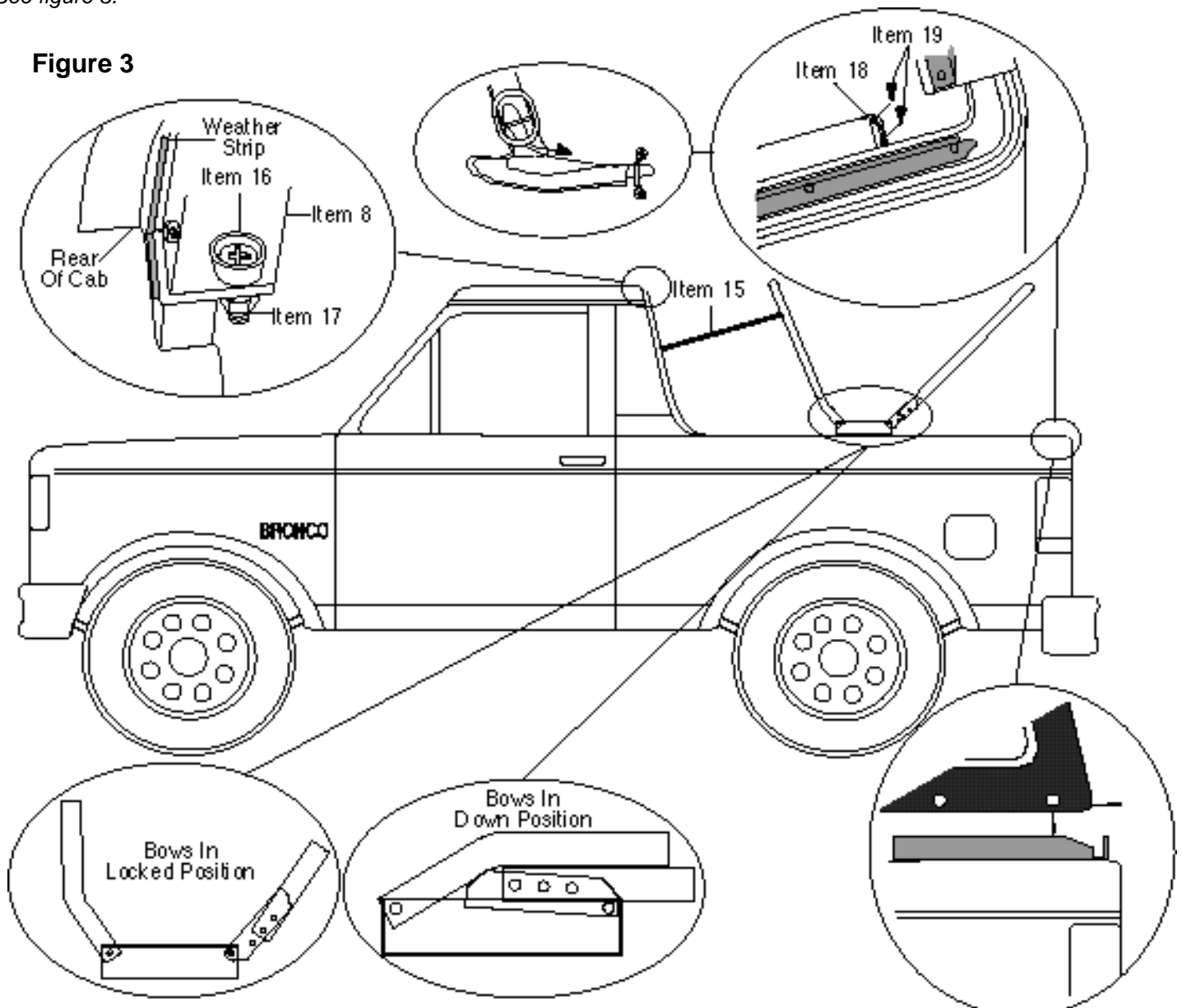
Figure 2



Step 5. Horizontal Rods. Measure 4" up from square hole in back of cab. Mark and drill 1/2" hole centered from left to right See figure 2. Place "Top Hat" portion of horizontal rod (Item 15) into this hole and the opposite end into hole in front bow. Repeat for the other side. These rods keep the front bow in position while top is in place.

Step 7. Top Installation. Measure 3" to the right of center split in cab aluminum and 1/4" from the rear edge of cab aluminum. Mark and drill 3/16" hole. Place machine screw stud (Item 16) into hole and secure with #10-32 hex nut (Item 17). Find front center of the vinyl top and secure snap to the right of center, to stud just installed. Install remaining screw studs on cab aluminum alternating from left to right. Pull on the top until smooth. Mark for best hole location using vinyl top as a guide. Install each stud and snap into position until all studs are in place on cab aluminum. Pull top over bows and snap rear bow flap to rear bow. Partially close zippers on rear curtain. With the rear bow in the locked position, pull the side curtain to the rear and down to find best location for the stud to be installed in the body aluminum. The first location for the screw studs should be approximately 1 1/4" from the end of the body aluminum and centered from top to bottom. Mark, drill and install machine screw stud at this point. Repeat for the other side. Continue installing studs working from the rear forward alternating from left to right side of vehicle. Find center of tailgate aluminum and mark a line. Pull center snap on rear curtain down to meet center line on tailgate aluminum. Mark and drill 3/16" hole. Install machine screw stud and snap center snap on the top to the stud. Continue installing studs alternating from left to right and pulling on rear curtain until smooth when finding stud positions. See figure 3. Position footman loop (Item 18) at tailgate inset. Using footman loop as a template, mark and drill 1/8" holes. Secure to body with #8 x 1/2" sheet metal screws (Item 19). Thread rear bow tie down straps through footman loop and buckle. Tighten until snug. See figure 3. This will hold the rear bow in place. It also holds the rear bow in place if you should decide to roll up the side panels or the rear curtain. See figure 3.

Figure 3



PARTS IDENTIFICATION

Item 1
Rear Body Aluminum
1 Left Shown, 1 Right

Item 3
Front Body Aluminum
1 Left Shown, 1 Right

Item 2
#10 x 1 1/2"
Sheet Metal Screw
54 Required

Item 4
Tailgate Aluminum
1 Left

Item 5
Tailgate Aluminum
1 Right

Item 6
Bow Mount Bracket
2 Required

Item 7
#14 x 1/2" Sheet Metal Screw
4 Required

Item 8
Cab Aluminum
1 Left Shown, 1 Right

Item 9
Bow Release Bracket
2 Required

Item 10
1/4-20 x 1 1/2"
Hex Bolt
6 Required

Item 11
1/4-20 Lock Nut
6 Required



Item 13
Rear Bow
1 Left Shown - 1 Right

Item 12
Bow Sleeve
4 Required

Item 14
Front Bow
1 Left Shown - 1 Right

Item 15
Horizontal Rod
2 Required



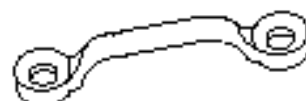
Item 16
#10-32 Machine Screw Stud
45 Required



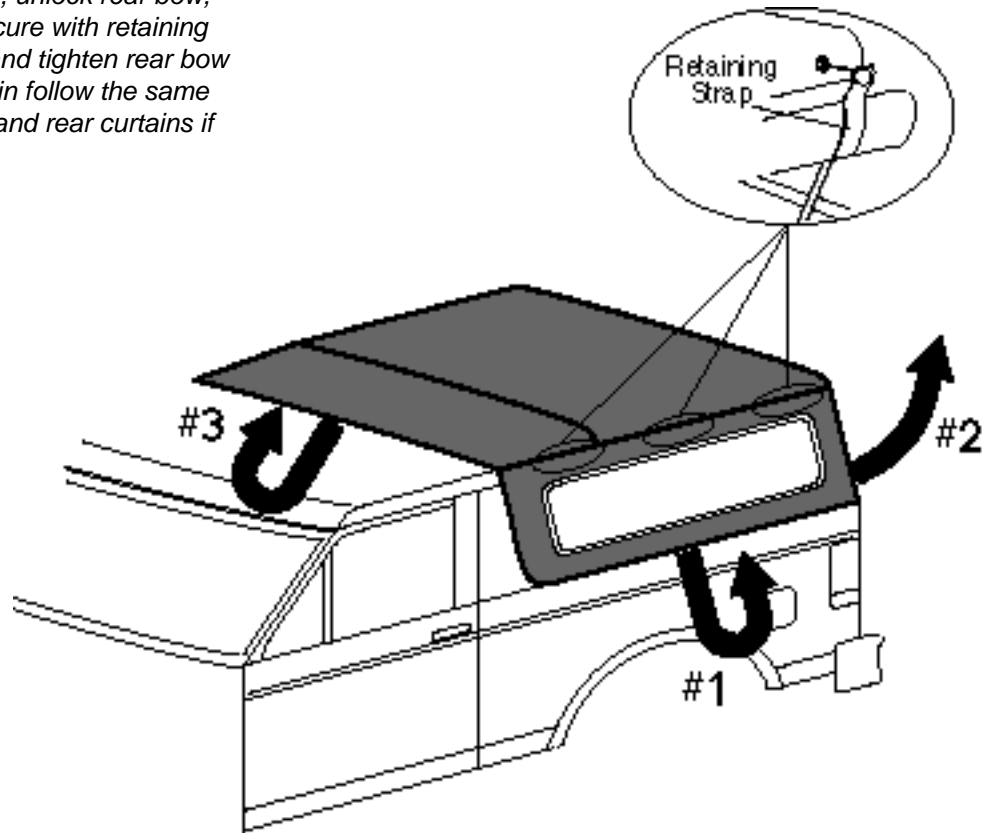
Item 17
#10-32 Hex Nut
45 Required

Item 18
Footman Loop
2 Required

Item 19
#8 x 1/2" Oval Head
Sheet Metal Screw
45 Required



Rolling Up Side Panels. It is possible to roll up your side curtains to provide more ventilation in your vehicle. Prior to rolling side or rear curtains you must first make sure that windows are clean. If not properly cleaned dirt will scratch them reducing top life. To clean windows, wash them with a mild non-detergent soap and water. To roll up side curtain, unzip rear curtain zippers, unlock rear bow, unsnap curtain and roll up curtain. Secure with retaining straps on top. Lock rear bow, buckle and tighten rear bow hold down straps. To roll up rear curtain follow the same procedure. You may roll up both side and rear curtains if you wish.



FOLDING INSTRUCTIONS

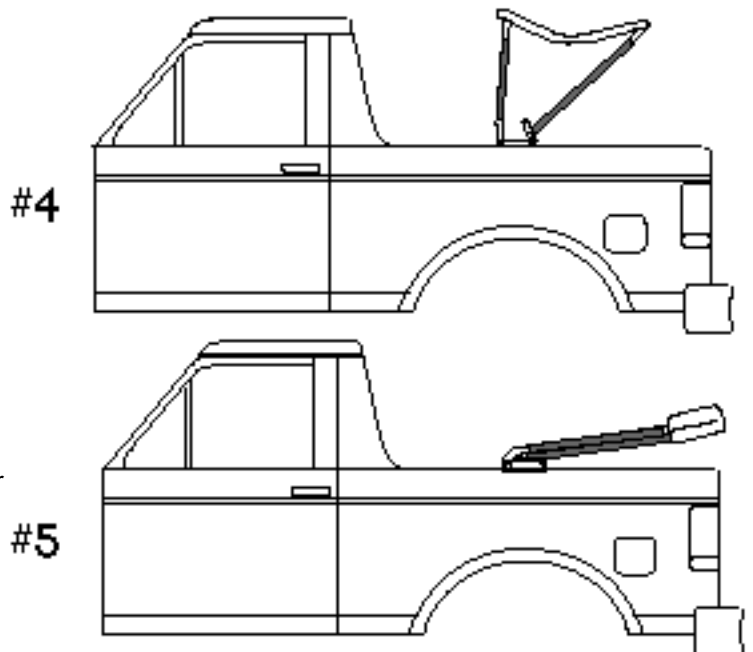
Step 1. Unlock rear bow and unfasten snaps. Lift side curtains up and fold them on top of bows.

Step 2. Lift rear curtain up and fold it on top of bows.

Step 3. Remove horizontal rods. Fold front of top to the rear, over bows.

Step 4. As you pull the front of top and bows to the rear of vehicle, let the top sag **in between bows**.

Step 6. Continue to lay bows down and let them come to rest on top of tailgate. A convertible boot is available from your local dealer to enclose your top. This will help to keep your top from getting dirty while in the down position.



CARE INSTRUCTIONS

Convertible tops and accessories require special care if you want to get the maximum usage and enjoyment from them. The following recommendations, if followed carefully, can extend the life of your top or accessory.

1. Hand wash using a mild non-detergent soap such as Ivory. Use a nonabrasive cloth or sponge. Rinse thoroughly.
2. **DO NOT** wash in direct sunlight and avoid automatic car washes.
3. When your top is clean, we recommend using "303 Protectant" on both the vinyl top and windows. This product contains a sunscreen that helps protect from the sun's damaging rays. Stay away from products containing alcohol as it will cause the fabric and windows to lose their elasticity, thus reducing the life of your top or accessory. If you are unable to locate "303 Protectant", please call 1-800-223-4303 for a distributor near you.
4. Direct sunlight and heat are the biggest enemies of the windows. Park in the shade whenever possible. If you must park in the sunlight, rotate the direction that you park every few days so all windows get even exposure.
5. Our tops are designed so that you may roll up and/or store the rear curtain and side curtains. To prevent scratching of the windows, be sure that windows are completely clean and free of dust particles. Even a little dirt will badly scratch the windows. You may want to use a soft cloth when rolling up or storing your windows. Heat may build up on rolled up windows, so be sure to unroll them frequently. If you roll up the windows at the beginning of summer and leave them, they may be ruined by fall.
6. **DO NOT** open or roll up windows at temperatures below 45 degrees F. This could cause them to crack or break.
7. **NEVER** use ice scrapers or snow brushes on vinyl windows.

WARRANTY INFORMATION:

Specialty Top Co. manufacturing warrants to the original purchaser of any product it manufactures, that the product will be free of defects in material or workmanship for a period of 90 days from date of purchase. Such obligations under this warranty shall be limited to the **repair or replacement**, at Specialty's discretion, of any assembly or parts which upon examination by Specialty Top Co. proves to be defective. All defective items must be returned with proof of purchase to Specialty Top Co. Manufacturing, 200 East 64th Avenue, Denver, Colorado 80221, freight prepaid. This warranty does not cover damage resulting from abuse, misuse, alteration, accident or damage in transit. Specialty's obligations under this warranty are limited to the aforementioned repair or replacement of warranty defects for which the return authorization has been received during the warranty period, and **SPECIALTY TOP CO. SHALL NOT BE LIABLE FOR ANY INCIDENTAL OR CONSEQUENTIAL DAMAGES ARISING FROM BREACH OF THIS OR ANY IMPLIED WARRANTY.**

Some states do not allow the exclusion or limitation of incidental or consequential damages, so the above limitation or exclusion may not apply to you. This warranty gives you specific legal rights, and you may also have other rights which may vary from state to state.

If you need assistance or further information, you may contact Specialty Top Co. at 1-866-487-9944 between the hours of 8:00 AM and 5:00 PM, Monday through Friday, Mountain Standard Time.