



SPECIALTY TOP CO.

INSTALLATION INSTRUCTIONS Half Doors 1966-1977 Bronco PART #331-003

Thank you for purchasing Specialty's half doors for your vehicle. They have been designed for great fit and long wear. Please read and follow, precisely, all installation instructions provided when installing doors. Failure to do so may result in a poor fitting doors and could place occupants in a potentially hazardous situation.

CARE INSTRUCTIONS

Convertible tops and accessories require special care if you want to get the maximum usage and enjoyment from them. The following recommendations, if followed carefully, can extend the life of your top or accessory.

1. Hand wash using a mild non-detergent soap such as Ivory. Use a nonabrasive cloth or sponge. Rinse thoroughly.
2. **DO NOT** wash in direct sunlight and avoid automatic car washes.
3. When your doors are clean, we recommend using "303 Protectant" on the vinyl. This product contains a sunscreen that helps protect from the sun's damaging rays. If you are unable to locate "303 Protectant", please call 1-800-223-4303 for a distributor near you.

TOOLS REQUIRED:

7/16" WRENCH	5/32" ALLEN WRENCH
1/4" DRILL BIT	ELECTRIC DRILL

PARTS LIST:

Item 1	4 ea	Body Hinge
Item 2	2 ea	1/4-20 x 3/4" Hex Bolt
Item 3	24 ea	1/4" Flat Washer
Item 4	12 ea	1/4-20 Lock Nut
Item 5	1 ea	Door Handle Retainer
Item 6	1 ea	Door Latch
Item 7	4 ea	3/8" Flat Washer
Item 8	2 ea	Outside handle
Item 9	2 ea	Latch Cover

WARRANTY INFORMATION

Specialty Top Co. warrants to the original purchaser of any product it manufactures, that the product will be free of defects in material or workmanship for a period of 90 days from date of purchase. Such obligations under this warranty shall be limited to the **repair or replacement**, at Specialty's discretion, of any assembly or parts which upon examination by Specialty Top Co. proves to be defective. All defective items must be returned with proof of purchase to Specialty Top Co. Manufacturing, 200 East 64th Avenue, Denver, Colorado 80221, freight prepaid. This warranty does not cover damage resulting from abuse, misuse, alteration, accident or damage in transit. Specialty's obligations under this warranty are limited to the aforementioned repair or replacement of warranty defects for which the return authorization has been received during the warranty period, and **SPECIALTY TOP CO. SHALL NOT BE LIABLE FOR ANY INCIDENTAL OR CONSEQUENTIAL DAMAGES ARISING FROM BREACH OF THIS OR ANY IMPLIED WARRANTY.**

Some states do not allow the exclusion or limitation of incidental or consequential damages, so the above limitation or exclusion may not apply to you. This warranty gives you specific legal rights, and you may also have other rights which may vary from state to state.

If you need assistance or further information, you may contact Specialty Top Co. at 1-866-487-9944 between the hours of 8:00 AM and 5:00 PM, Monday through Friday, Mountain Standard Time.

Step 1. Body Hinges. Measure 3" in from the inside of the body to the inside of the body hinge (Item 1) and 3 1/2" from top of body to top of body hinge. Using body hinge as a template mark and drill two 1/4" holes. Place 1/4-20 x 3/4" hex bolt (Item 2) through 1/4" flat washer (Item 3), body hinge, hole in vehicle and another 1/4" flat washer. Secure with 1/4-20 lock nut (Item 4). Leave fasteners loose until doors are installed to make sure of a proper fit. Measure 12 3/4" from top of upper body hinge to top of lower body hinge and 3 1/2" from inside of body edge. Mark and drill 1/4" holes using body hinge as a template. Secure with nuts, bolts and washer as above. Repeat for the other side. See figure 1.

Step 2. Door Retainer. Slip door hinges on door into body hinges. See figure 1. Measure 5" down from top of body edge at rear of door opening and 3 3/8" from inside of body edge. Mark and drill 1/4" hole. Place door retainer (Item 5) over hole in body. Place 1/4-20 x 3/4" hex bolt through 1/4" flat washer (Item 2), door retainer, hole in body and another 1/4" flat washer. Secure with 1/4-20 lock nut (Item 4). Do not fully tighten at this time. Close the door against the retainer, making sure that the door is the same distance from body all the way around the door opening. Swing the bottom of the retainer to come in contact with the door. Using the retainer as a template make and drill a 1/4" hole for the lower hole of retainer. Secure using same method as above. Tighten all fasteners at this time. Repeat for the other side. See figure 2.

Step 3. Door Handles. Place latch (Item 6) through 3/8" flat washer (Item 7), Inside of door, the slide on a second 3/8" flat washer. Place outside door handle (Item 8) over square peg on latch. Tighten set screws in outside handle. Slide latch cover (Item 9) over latch. Repeat for the other side. See figure 3.

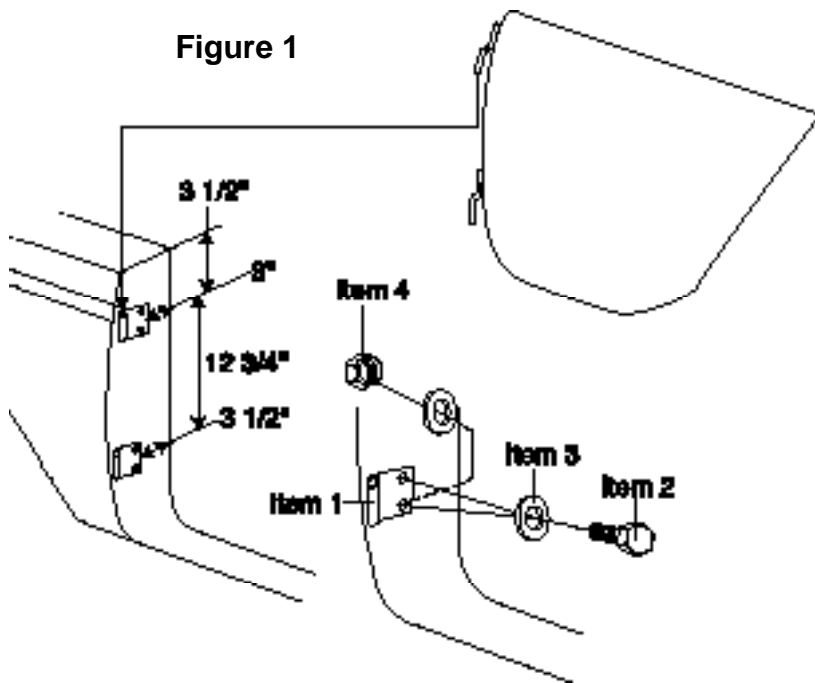


Figure 1

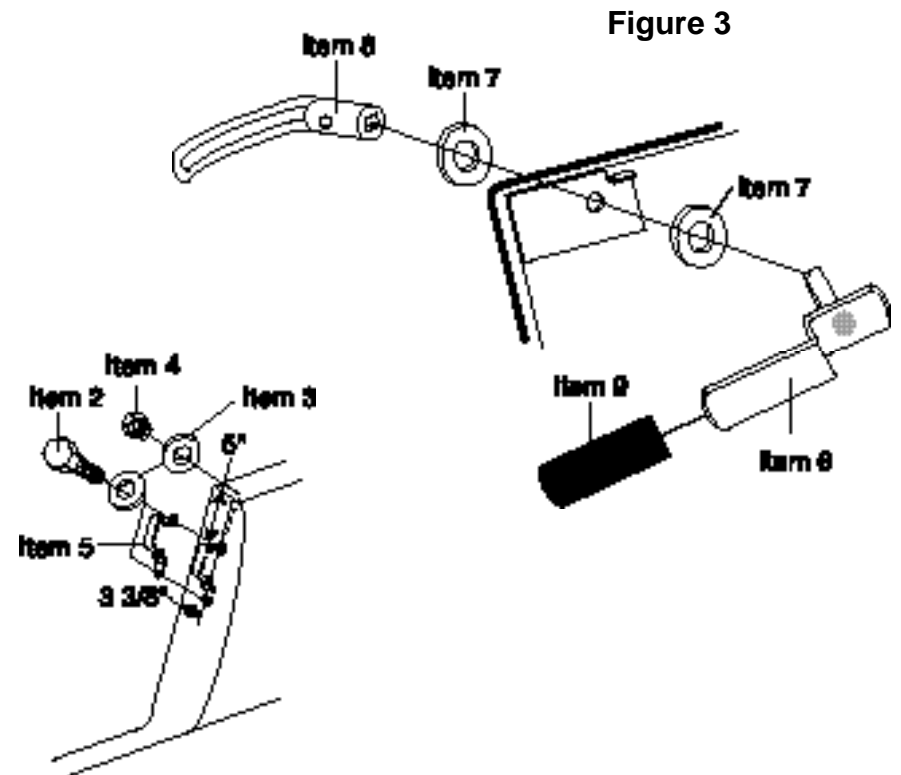


Figure 2

Figure 3