



# SPECIALTY TOP CO.

## INSTALLATION INSTRUCTIONS CJ-2A 1946-1948 PART #102-011 With Doors

Thank you for purchasing Specialty's Convertible Top for your Jeep® vehicle. It has been designed for great fit and long wear. Please read and follow, precisely, all installation instructions provided when installing top. Failure to do so may result in a poor fitting top and could place occupants in a potentially hazardous situation.

### TOOLS REQUIRED:

3/8" WRENCH                      7/16" WRENCH  
5/32" ALLEN WRENCH #2 PHILLIPS SCREWDRIVER  
8' TAPE MEASURE              DRILL BITS (1/8", 9/64", 5/32",  
ELECTRIC DRILL              11/64", 3/8" & 1/2")  
RUBBING ALCOHOL

**Windshield Adjustment.** If your windshield frame is improperly adjusted, the top will not fit or function properly. Hook tape measure on flange at the top of windshield frame, 20" on either side of center line and measure to edge of body as shown. If windshield is out of adjustment you may have to bend the windshield frame forward or to the rear as necessary until the proper measurement is reached. See figure 1.

### INSTALLATION TIPS

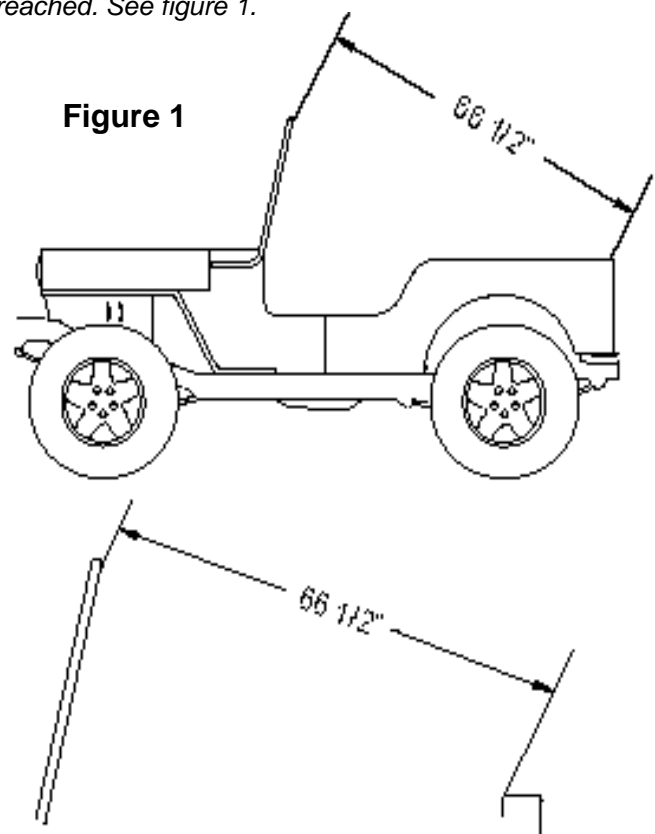
Before you begin installing this top, here are a few tips to make installation easier.

This top should be installed where the temperature is above 72 degrees Fahrenheit. Below this temperature, the top may contract making it difficult to install.

It is normal for a top to contract and wrinkle when stored in the shipping carton. The top will relax and wrinkles will disappear within a few days of installation as fabric adjusts to shape of mounting hardware.

### INSTALLATION PROCEDURES:

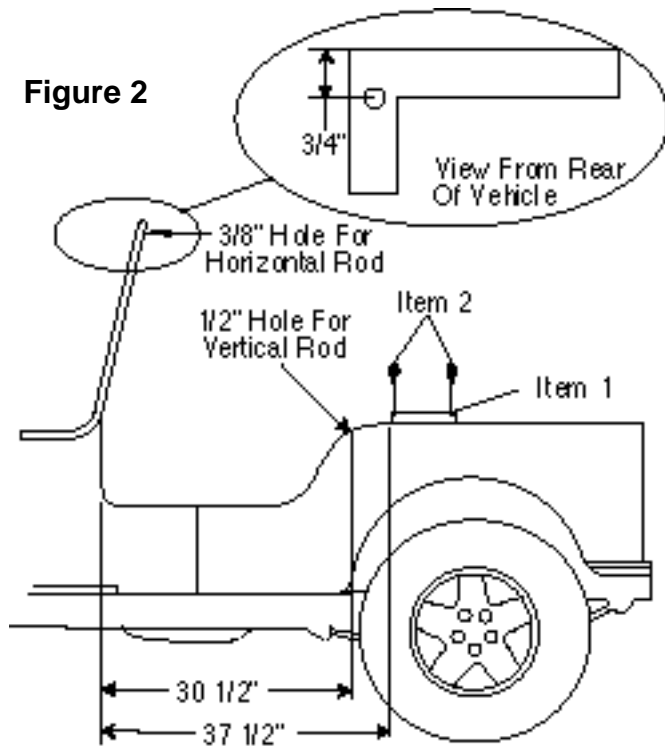
On page 4 of this instruction manual there is an assembly drawing. Please refer to it for identification of parts and assembly assistance. Also refer to page 6 to assure that all parts are included in your kit.



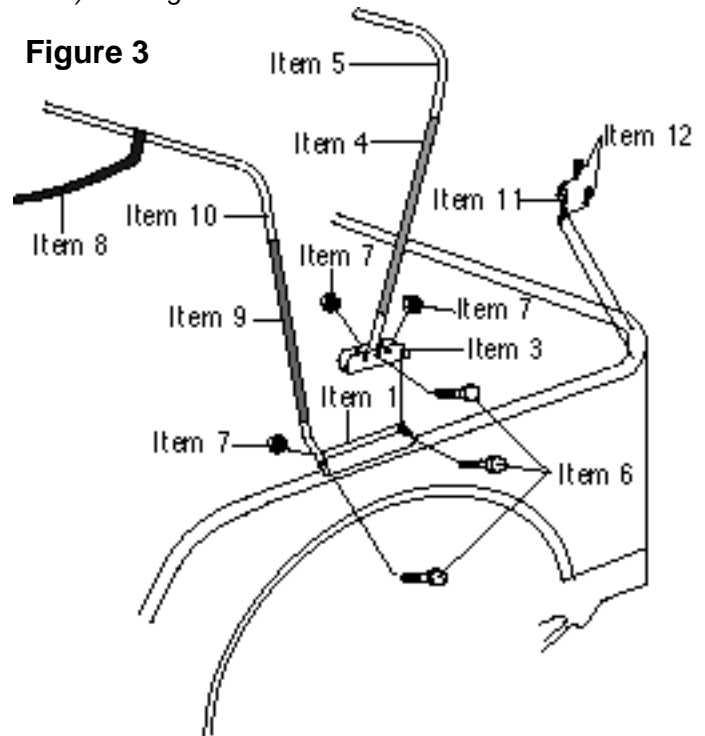
**Step 1. Install Bows.** Measure 37 1/2" from dash to the top of body and mark a line. This is for the positioning of the bow mount bracket (Item 1). Place front of bow mount bracket on this line. Using the bow mount as a template, mark and drill 5/32" holes in top center of body flange. Secure to body with #14 x 1/2" sheet metal screws (Item 2), making sure that one set of holes in bow mount hang over the inside edge of body. Repeat for the other side. Place rear bow lock (Item 3) into rear of bow mount with three sets of holes to the front of vehicle. Place 1/4-20 x 1 1/2" hex bolts (Item 6) through bow mount and bow lock, and secure with 1/4-20 lock nut (Item 7). These items must pivot, so do not over tighten. Repeat for other side. Place rear bow covers (Item 4) over rear bow halves (Item 5). Slide bow halves together. Place rear bow into center set of holes in rear bow lock. Fasten with 1/4-20 x 1 1/2" hex bolts (Item 6) and 1/4-20 lock nuts (Item 7). Again these items must pivot, so do not over tighten. Repeat for other side. Place center strap (Item 8) over front bow half (Item 10). Slip front bow covers (Item 9) over front bow halves. Place front bow into front of bow mount. Place 1/4-20 x 1 1/2" hex bolt through bow mount and front bow. Secure with 1/4-20 lock nut tightening only enough to allow bow to pivot. Repeat for other side. See figures 2 and 3.

**Step 3. Horizontal And Vertical Rods.** Measure 3/4" down from top of windshield frame at the sides. Drill 3/8" hole. See figure 2. Place front of horizontal rod (Item 13) through the large hole in upper door channel (Item 14) and into 3/8" hole drilled in windshield frame. There are left and right horizontal rods. The right is identified by having a white mark at one end. The washer on the rod will be closest to the front bow when installed. The washer should also be at the bottom of the rod and to the inside of the vehicle. Measure 30 1/2" from dash and mark a line on top of body flange. Drill a 1/2" hole centered from side to side. Put one end of vertical rod (Item 15) into 1/2" hole drilled in body and the other end into washer welded on horizontal rod. Pull front bow forward and put rear of horizontal rod into lower hole. Repeat for other side. Thread center strap through footman loop mounted on windshield frame and tighten. Using the upper door channel as a template, mark and drill 9/64" holes making sure that channel stays parallel with windshield frame. Secure to frame with #10 x 1/2" sheet metal screws (Item 16). Repeat for other side. Position upper door hinge (Item 17) in the upper most notch in door channel with the curled edge to the inside of vehicle and at a 45 degree angle to the windshield frame. Mark and drill 5/32" holes using hinge as a template. Secure to frame with #14 x 1/2" sheet metal screws (Item 2). See figure 5.

**Figure 2**



**Figure 3**



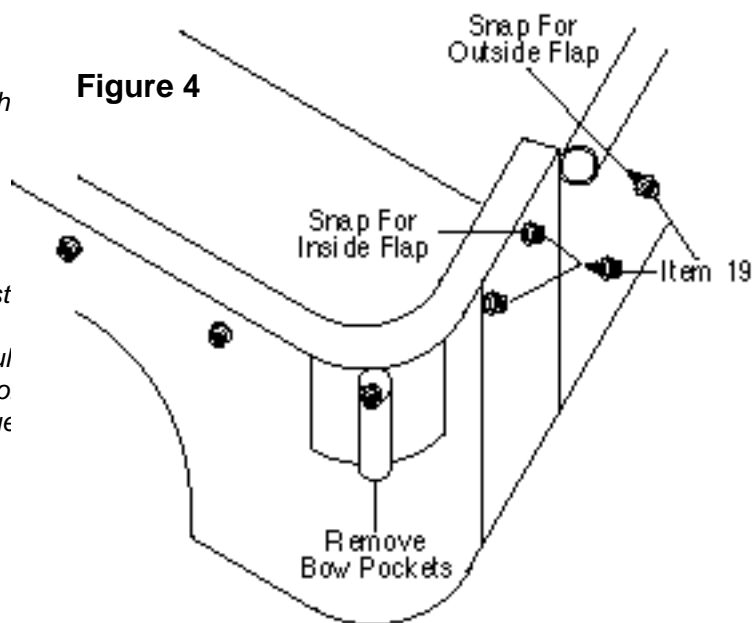
**Step 2. Footman Loops.** Place footman loop (Item 11) at rear corner of vehicle. Using footman loop as a template, mark and drill 1/8" holes. Secure to body with #8 x 1/2" sheet metal screws (Item 12). Repeat for other side. Place footman loop at inside top center of windshield frame. Using footman loop as a template, mark and drill 1/8" holes and secure to frame with #8 x 1/2" sheet metal screws. If there is a footman loop already in place, disregard this step. See figure 5.

**Step 5. Install Top.** Install turn fasteners (Item 18) into original holes in windshield frame. If there are no holes present, you will need to drill 11/64" holes at the front of frame using the receptacles in the top itself as a guide. Fasten turn fasteners to the top and slip over front and rear bows. Snap rear bow to the sewn in bow flap and pull side and rear curtain down. Fasten hook and loop together around horizontal and vertical rods. Put rear bow lock into the locked position. See figure 5. If your vehicle is equipped with the original equipment bow pockets at the rear corner, you will need to remove them for

a proper fitting top. Measure 1/8" over, toward center of vehicle, from the rear vertical body seam and 3/4" down from top of body edge for location of first snap stud (Item 19). Mark and drill 1/8" hole. Repeat for other side. Snap the last snap on the side curtain to these studs. Continue installing studs, alternating left to right. Pull forward and down on the side curtain to find the locations for the snap studs. Mark and drill 1/8" holes for studs and snap top to body after each stud installation. See Figure 4.

There are two sets of flaps on the rear curtain. You will first use the outside flap to mark and drill holes for studs to attach to the tailgate. Measure to find center of tailgate. Pull on center snap, on outside flap, and align with center line of tailgate. Mark and drill 1/8" hole. Snap top to stud. Continue installing studs using same procedure as above. See figure 4.

Thread sewn in buckle straps through footman loops and tighten loosely. These straps hold top in place when side and rear curtains are rolled up.



## CARE INSTRUCTIONS

Convertible tops and accessories require special care if you want to get the maximum usage and enjoyment from them. The following recommendations, if followed carefully, can extend the life of your top or accessory.

1. Hand wash using a mild non-detergent soap such as Ivory. Use a nonabrasive cloth or sponge. Rinse thoroughly.
2. **DO NOT** wash in direct sunlight and avoid automatic car washes.
3. When your top is clean, we recommend using "303 Protectant" on both the vinyl top and windows. This product contains a sunscreen that helps protect from the sun's damaging rays. Stay away from products containing alcohol as it will cause the fabric and windows to lose their elasticity, thus reducing the life of your top or accessory. If you are unable to locate "303 Protectant", please call 1-800-223-4303 for a distributor near you.
4. Direct sunlight and heat are the biggest enemies of the windows. Park in the shade whenever possible. If you must park in the sunlight, rotate the direction that you park every few days so all windows get even exposure.
5. Our tops are designed so that you may roll up and/or store the rear curtain and side curtains. To prevent scratching of the windows, be sure that windows are completely clean and free of dust particles. Even a little dirt will badly scratch the windows. You may want to use a soft cloth when rolling up or storing your windows. Heat may build up on rolled up windows, so be sure to unroll them frequently. If you roll up the windows at the beginning of summer and leave them, they may be ruined by fall.
6. **DO NOT** open or roll up windows at temperatures below 45 degrees F. This could cause them to crack or break.
7. **NEVER** use ice scrapers or snow brushes on vinyl windows.

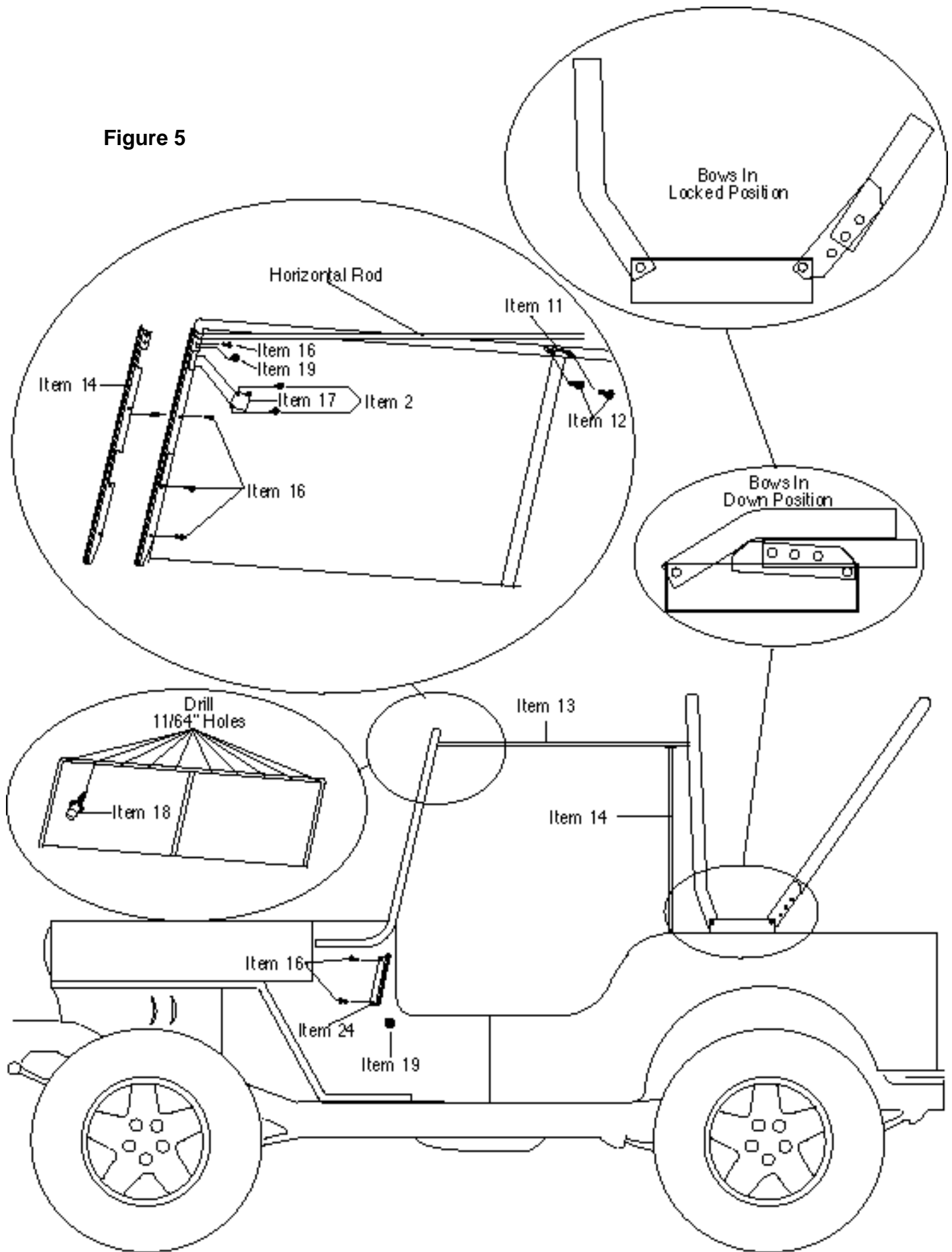
## WARRANTY INFORMATION:

Specialty Top Co. warrants to the original purchaser of any product it manufactures, that the product will be free of defects in material or workmanship for a period of 90 days from date of purchase. Such obligations under this warranty shall be limited to the **repair or replacement**, at Specialty's discretion, of any assembly or parts which upon examination by Specialty Top Co. proves to be defective. All defective items must be returned with proof of purchase to Specialty Top Co., 200 East 64th Avenue, Denver, Colorado 80221, freight prepaid. This warranty does not cover damage resulting from abuse, misuse, alteration, accident or damage in transit. Specialty's obligations under this warranty are limited to the aforementioned repair or replacement of warranty defects for which the return authorization has been received during the warranty period, and **SPECIALTY TOP CO. SHALL NOT BE LIABLE FOR ANY INCIDENTAL OR CONSEQUENTIAL DAMAGES ARISING FROM BREACH OF THIS OR ANY IMPLIED WARRANTY.**

Some states do not allow the exclusion or limitation of incidental or consequential damages, so the above limitation or exclusion may not apply to you. This warranty gives you specific legal rights, and you may also have other rights which may vary from state to state.

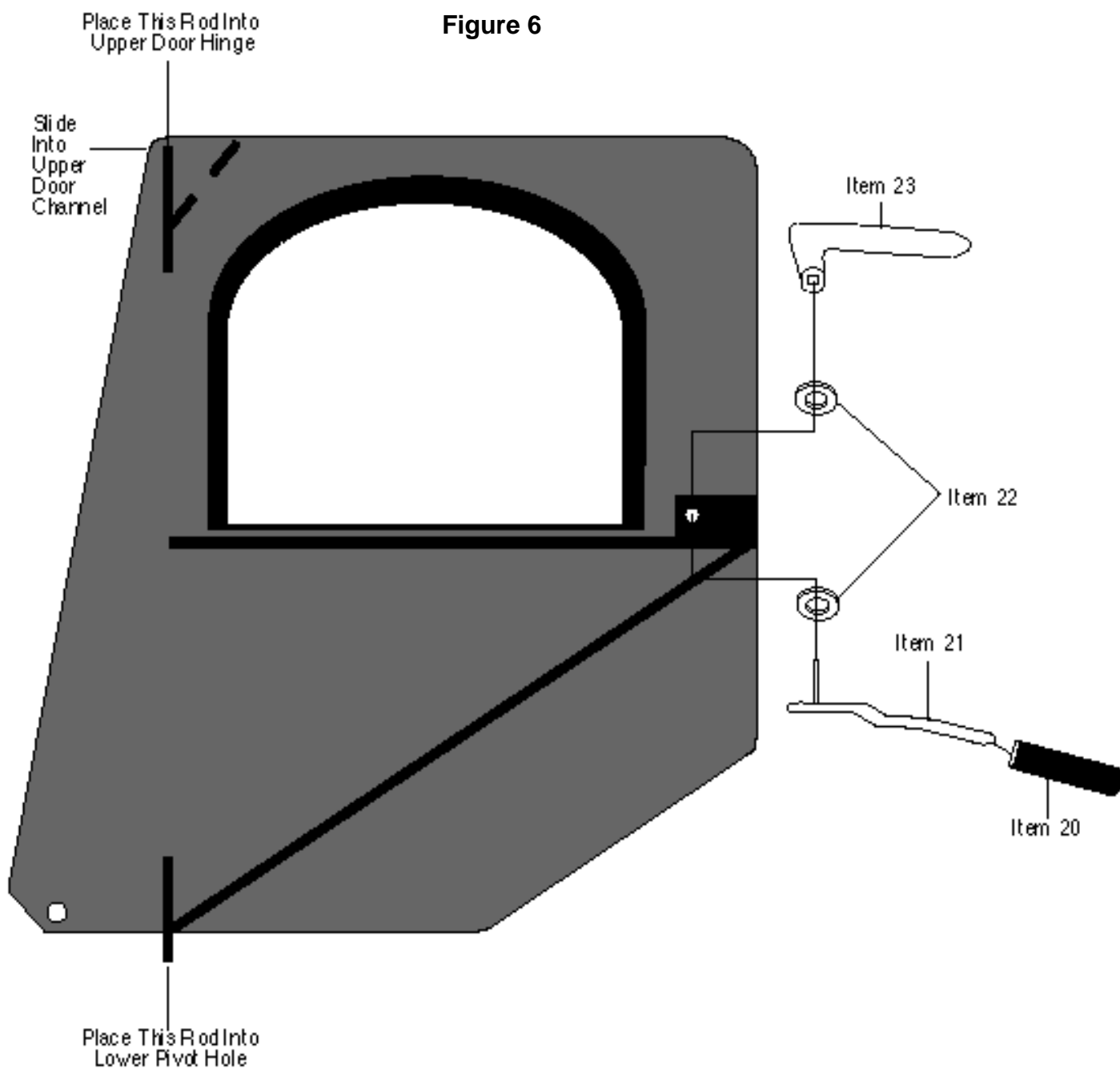
If you need assistance or further information, you may contact Specialty Top Co. at 1-866-487-9944 between the hours of 8:00 AM and 5:00 PM, Monday through Friday, Mountain Standard Time.

Figure 5



**Step 6. Install Doors.** Place square peg on inside door handle (Item 21) through 3/8" washer (Item 22) and through inside hole in door. Place another 3/8" washer over peg, on outside of door, and slide on outside door handle (Item 23) over peg and tighten set screw in handle. Both inside and outside handles should point to rear of vehicle. See figure 6. Slide sewn in rope, on front of door, into channel on windshield frame. Place end of rod at top of door into upper door hinge. Place rod at bottom of door into original door pivot hole in top of body flange and pull down until door rests on top of door opening. If your vehicle does not have this hole you will need to drill a 3/8" hole using the door, in the vertical position, as a guide to find the proper hole location. Close door. Due to inconsistencies in vehicle manufacturing slight bending modifications may be needed for proper fit in door opening. Bend frame a little at a time until door fits properly in door opening.

Install 7" door channel (Item 24) onto body by sliding it onto sewn in rope on door and pulling forward and down on channel to smooth fabric. Using the channel as a template, mark and drill 1/8" holes. Secure channel to body with #10 x 1/2" sheet metal screws (Item 16). Again pull forward and down to find the position for the snap stud at bottom front of door. Mark and drill 1/8" hole and install snap stud (Item 19). Snap together. See figure 5.



# Parts Identification And Requirements

Item 1  
Bow Mount Bracket  
2 Required



Item 2  
#14 x 1/2" Sheet Metal Screw  
8 Required



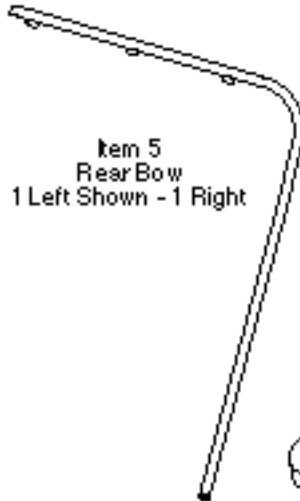
Item 3  
Rear Bow Lock  
2 Required



Item 4  
Rear Bow Sleeve -Long  
2 Required



Item 5  
Rear Bow  
1 Left Shown - 1 Right



Item 6  
1/4-20 x 1 1/2"  
Hex Bolt  
6 Required



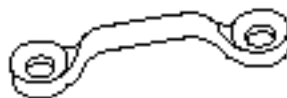
Item 7  
1/4-20 Lock Nut  
6 Required



Item 8  
Center Strap  
1 Required



Item 11  
Footman Loop  
3 Required



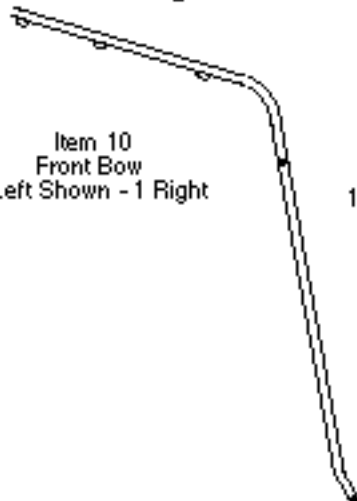
Item 12  
#8 x 1/2"  
Oval Head  
Sheet Metal Screw  
6 Required



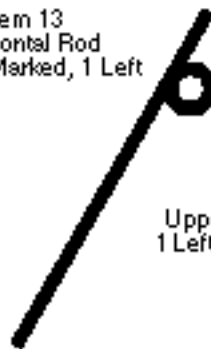
Item 9  
Front Bow Sleeve -Short  
2 Required



Item 10  
Front Bow  
1 Left Shown - 1 Right



Item 13  
Horizontal Rod  
1 Right-Marked, 1 Left



Item 14  
Upper Door Channel  
1 Left -Shown, 1 Right



Item 15  
Vertical Rod  
2 Required



Item 16  
#10 x 1/2" Sheet Metal Screw  
12 Required



Item 17  
Upper Door Hinge  
1 Left Shown, 1 Right



Item 18  
Turn Fasteners  
10 Required



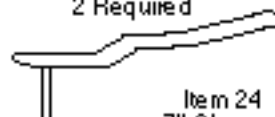
Item 19  
Screw Stud  
25 Required



Item 20  
Inside Handle Cover  
2 Required



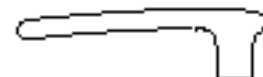
Item 21  
Inside Handle  
2 Required



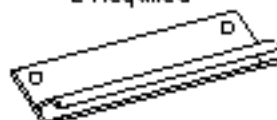
Item 22  
3/8" Flat Washer  
4 Required



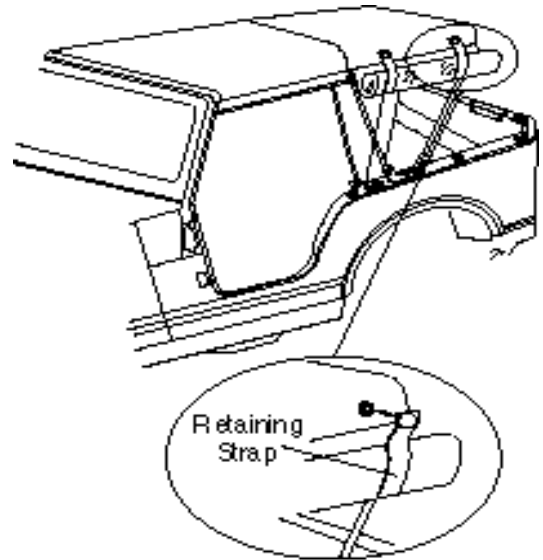
Item 23  
Outside Handle  
2 Required



Item 24  
7" Channel  
2 Required

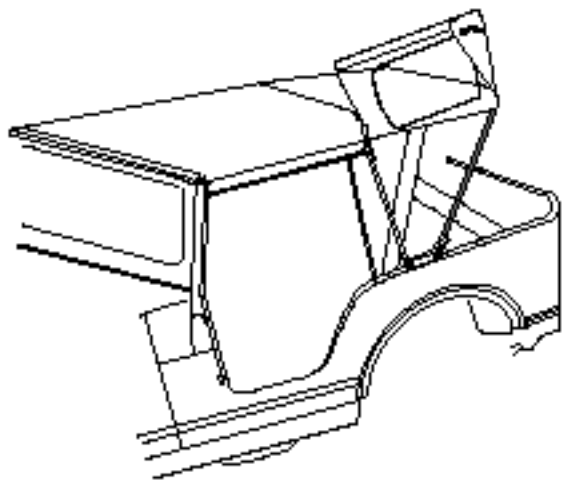


**Rolling up side curtains.** Before rolling up panels, clean windows with a mild non-detergent soap and water. If windows are not clean, dirt will scratch them reducing top life. To roll up the side curtains you must unlock the rear bow. Unfasten snaps, back to front, unzip rear curtain and roll up the side curtain as shown. Lock rear bow. Secure with retaining straps. It is recommended that you use a soft cloth between windows and retaining straps to prevent marring. You can also roll up the rear curtain following the same procedure. If you do not want to roll up the rear curtain you can pull it forward and snap the inside flap to the front bow.

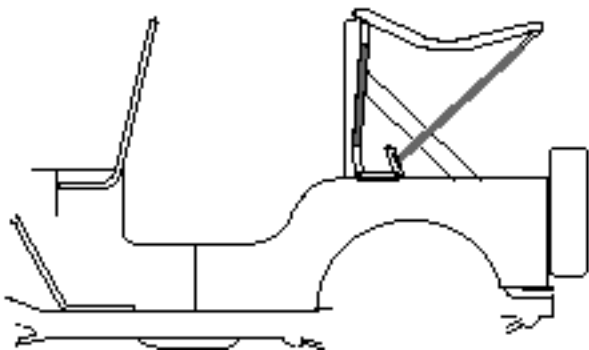


## FOLDING INSTRUCTIONS

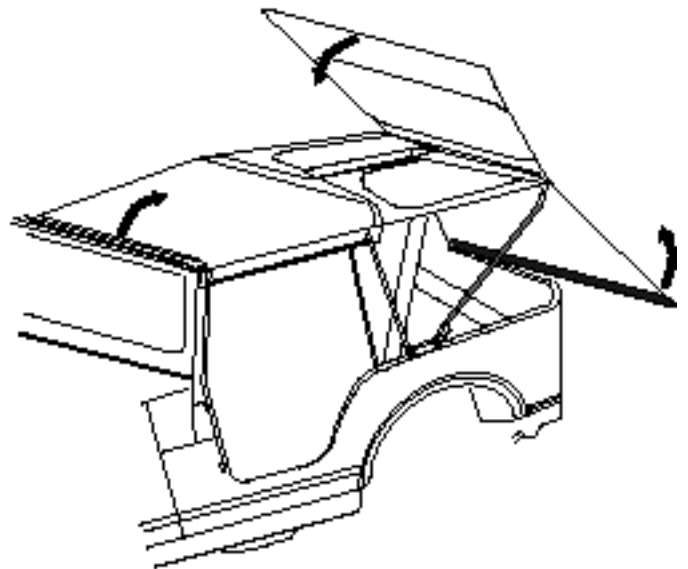
**Step 1.** Unlock rear bow and unfasten snaps. Lift side curtains and lay flat on top.



**Step 3.** Remove horizontal and vertical rods. As you pull the top back, let the top sag between the front and rear bows.



**Step 2.** Lift rear curtain up and place it on top of side curtains. Unfasten turn fasteners at front of top from windshield frame and fold back on top of rear curtain.



**Step 4.** Let the top come to rest at rear of vehicle. A convertible boot is available to protect your top while in the down position.

